



# Monty 3D

- 11.3100 **Monty 3D**
- 11.3100CM **Custom Monty 3D**

Sicherheitshinweise  
Safety Instructions



Montage  
Assembly Instructions



Handhabung  
Handling



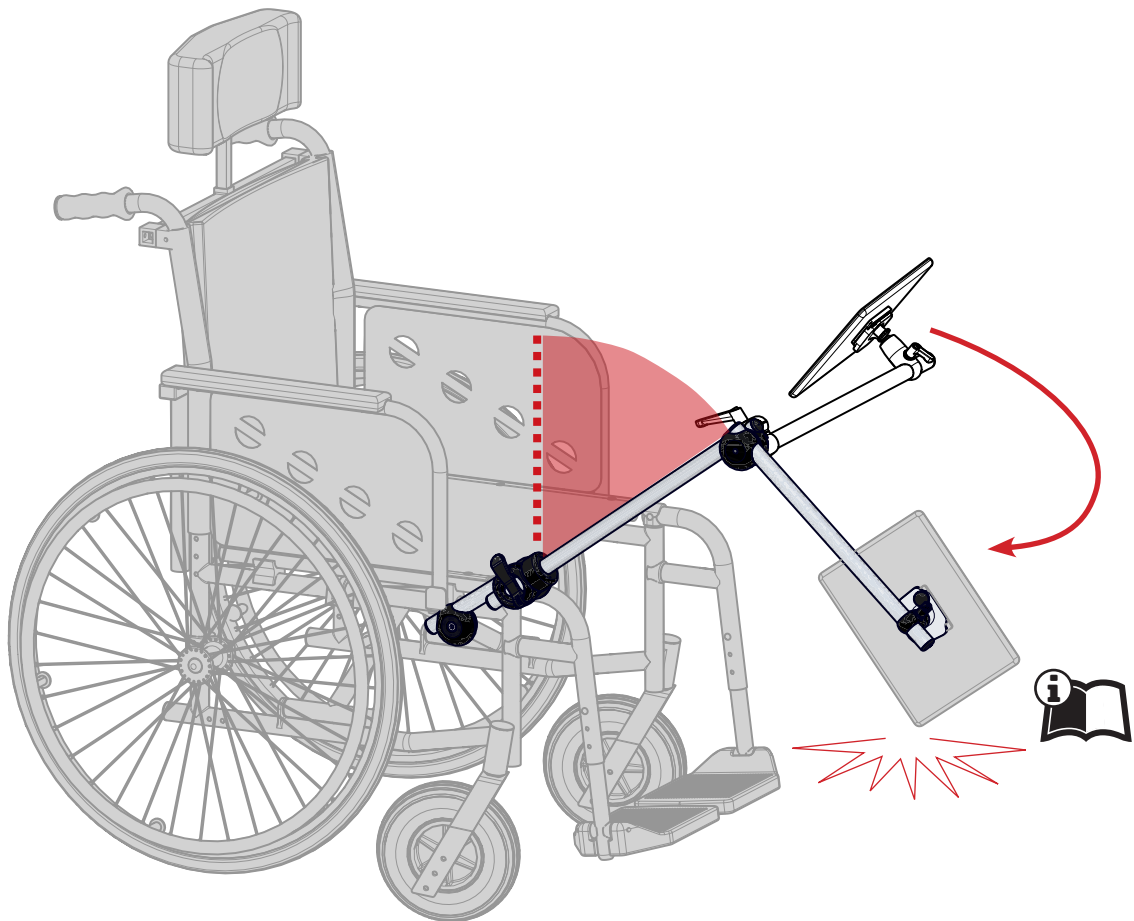
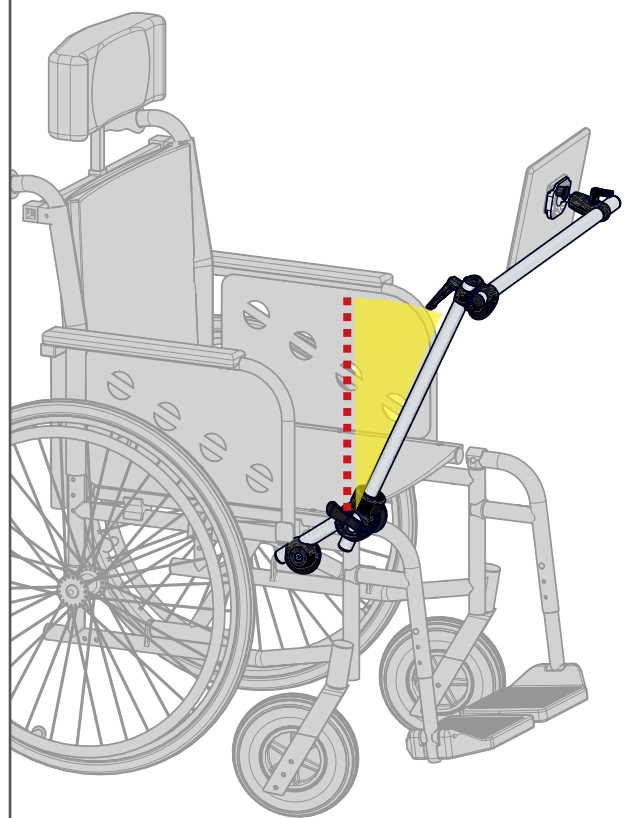
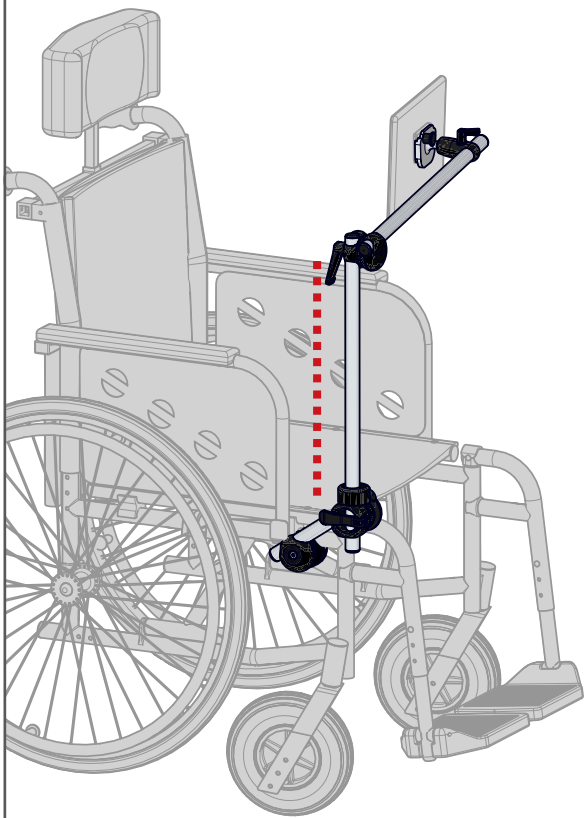
M3D H3D

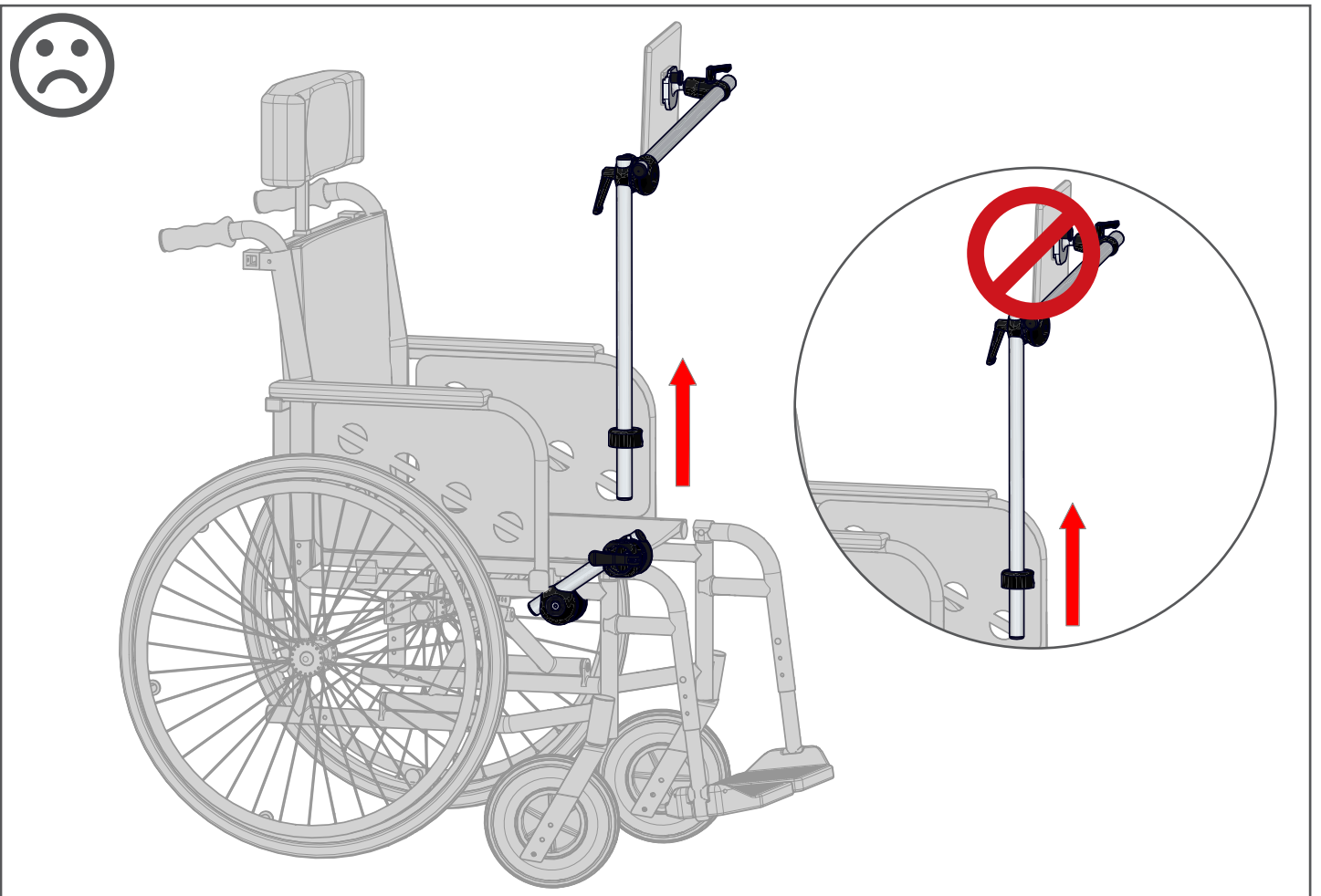
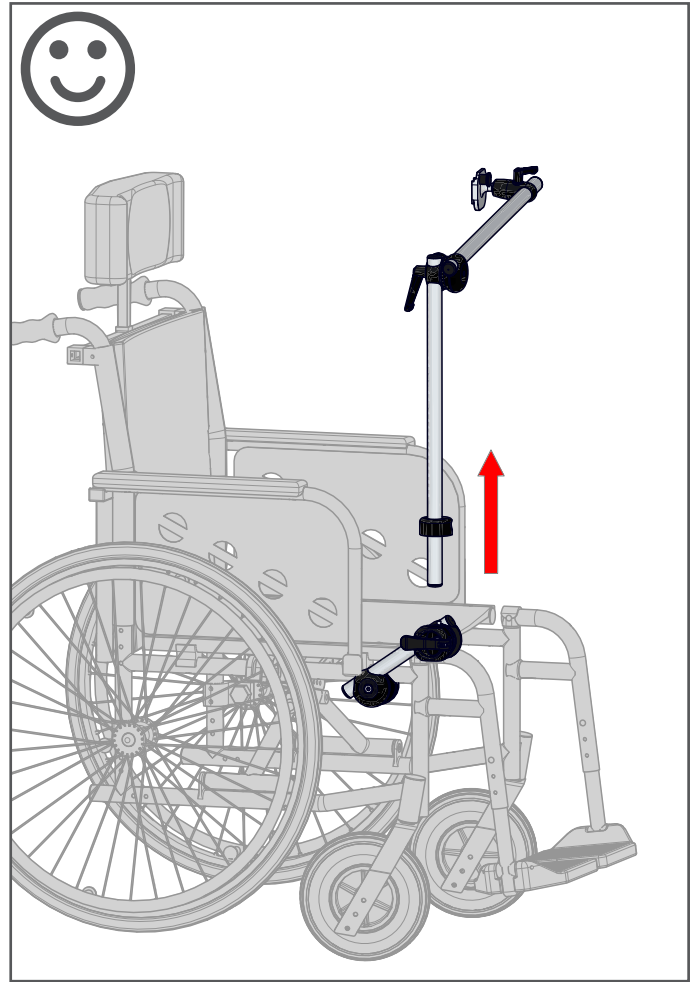
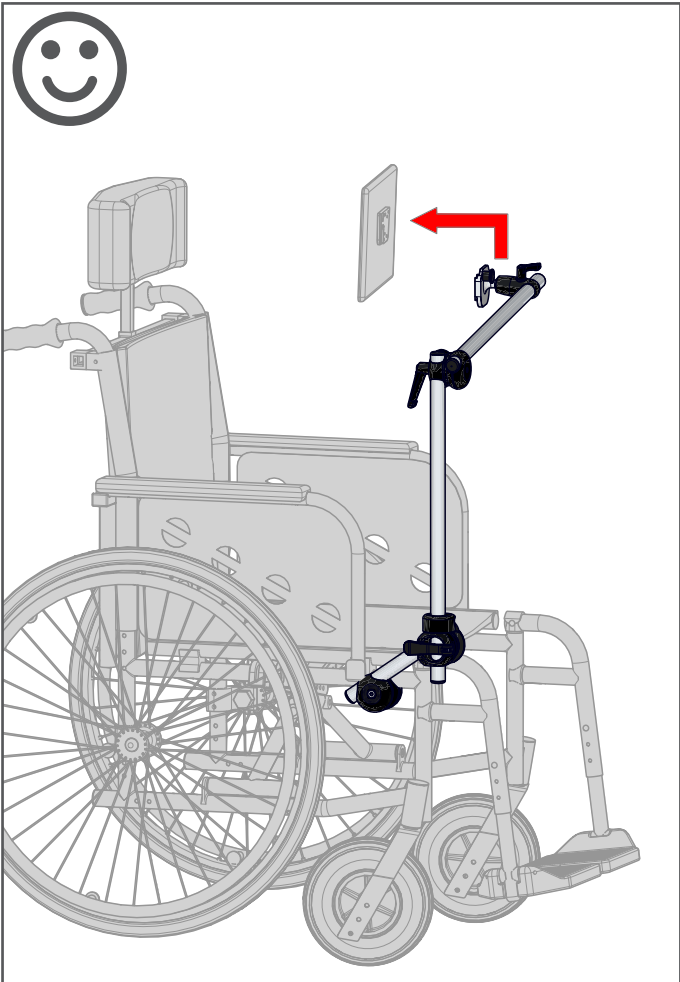
L3D

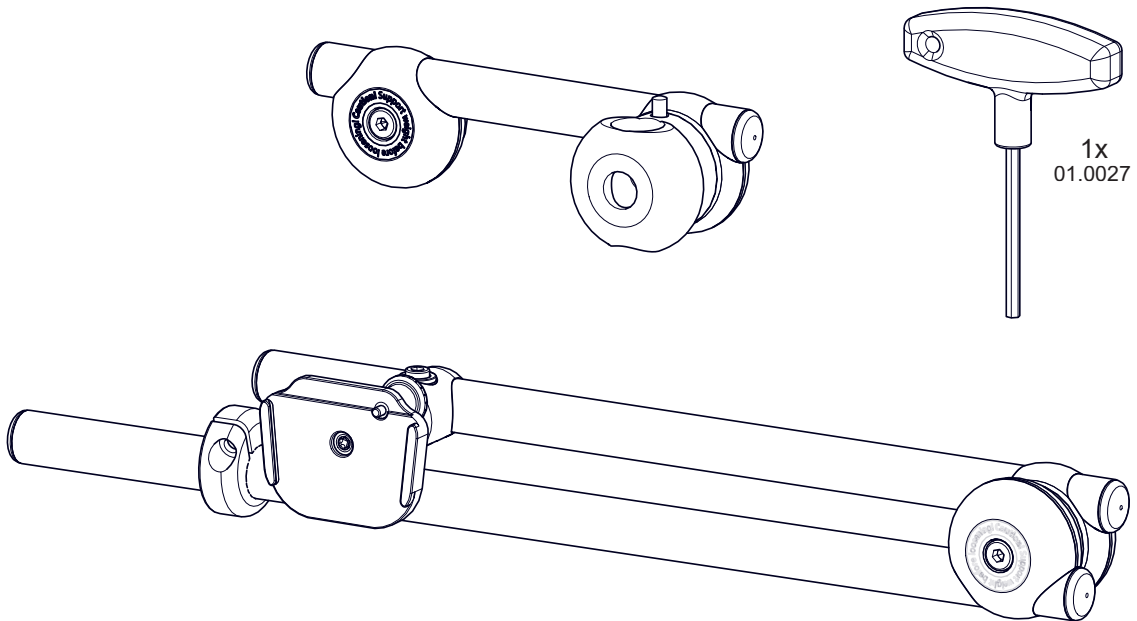
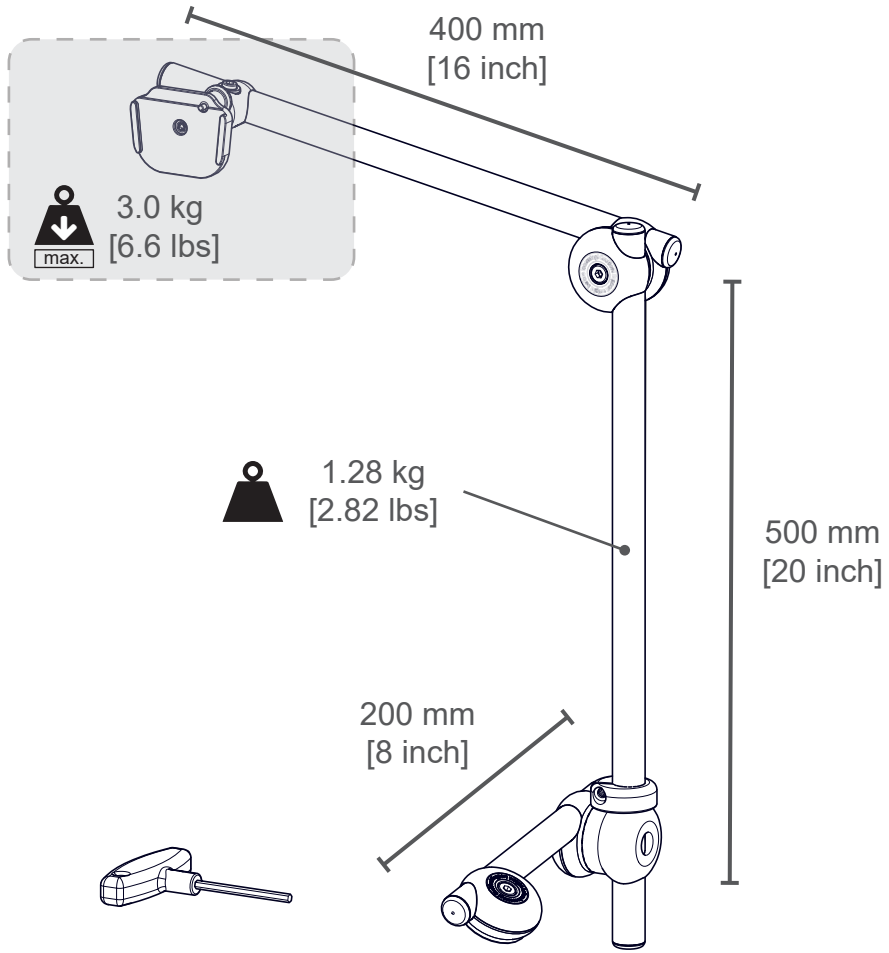
2021-06-20

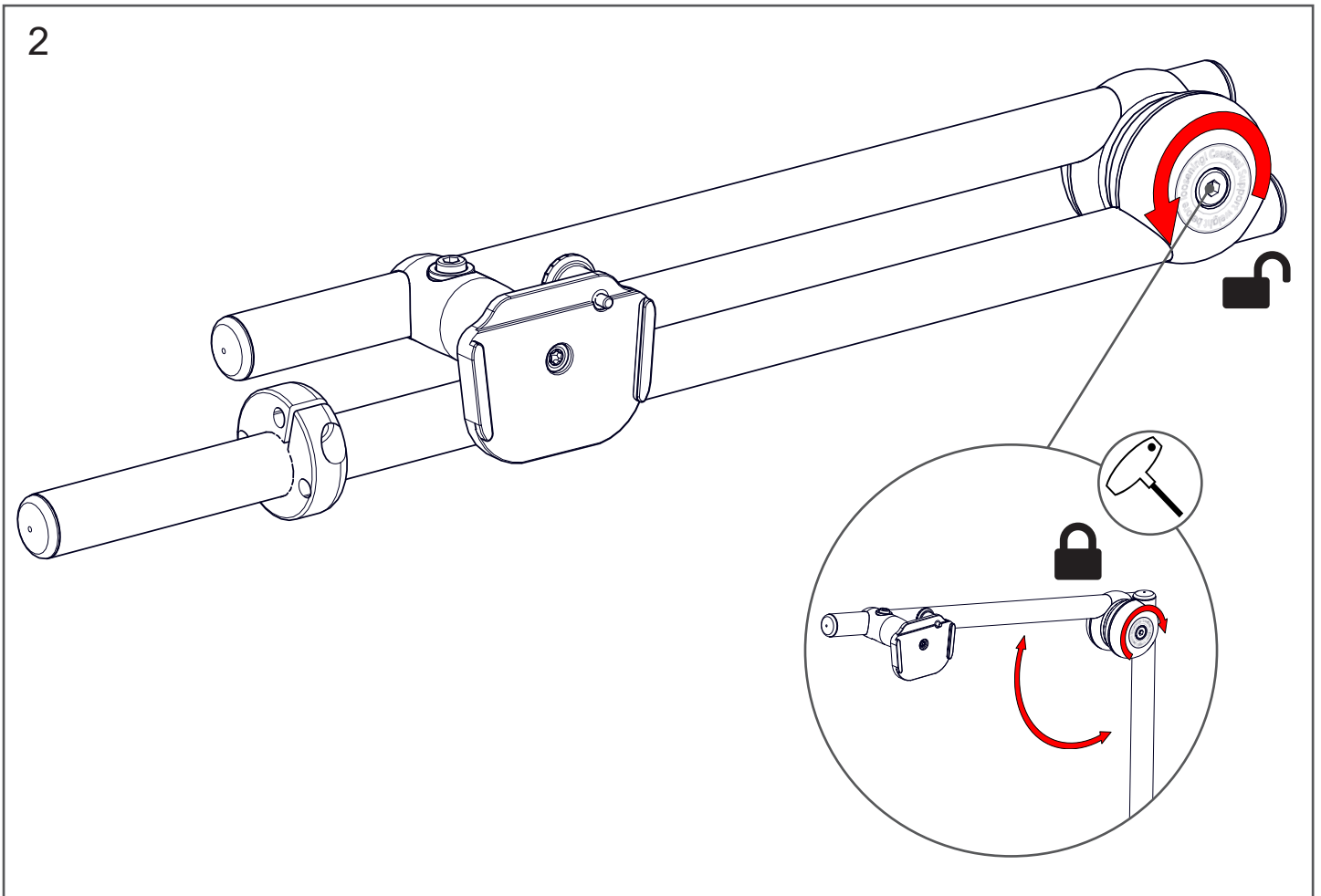
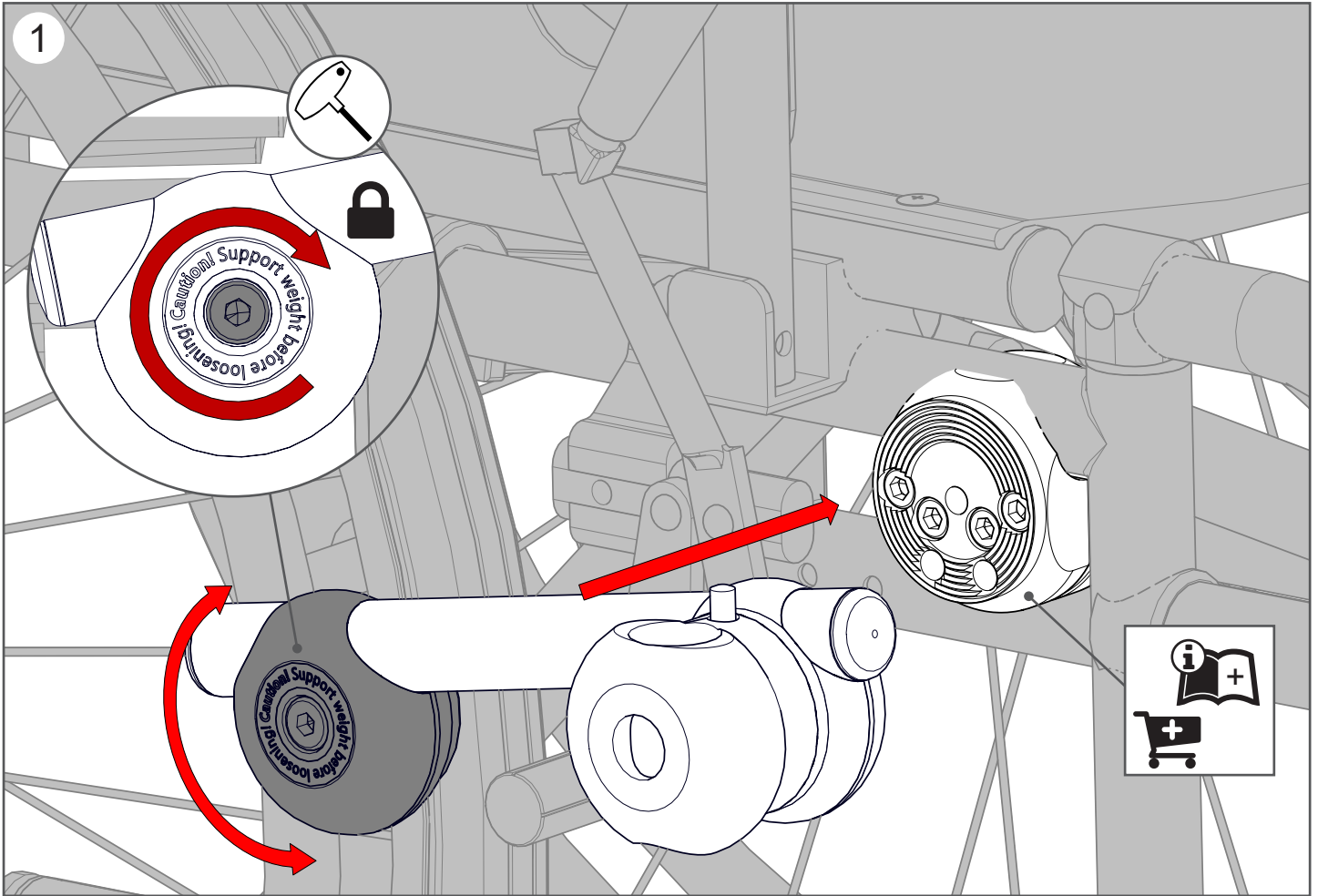
00.5146~A

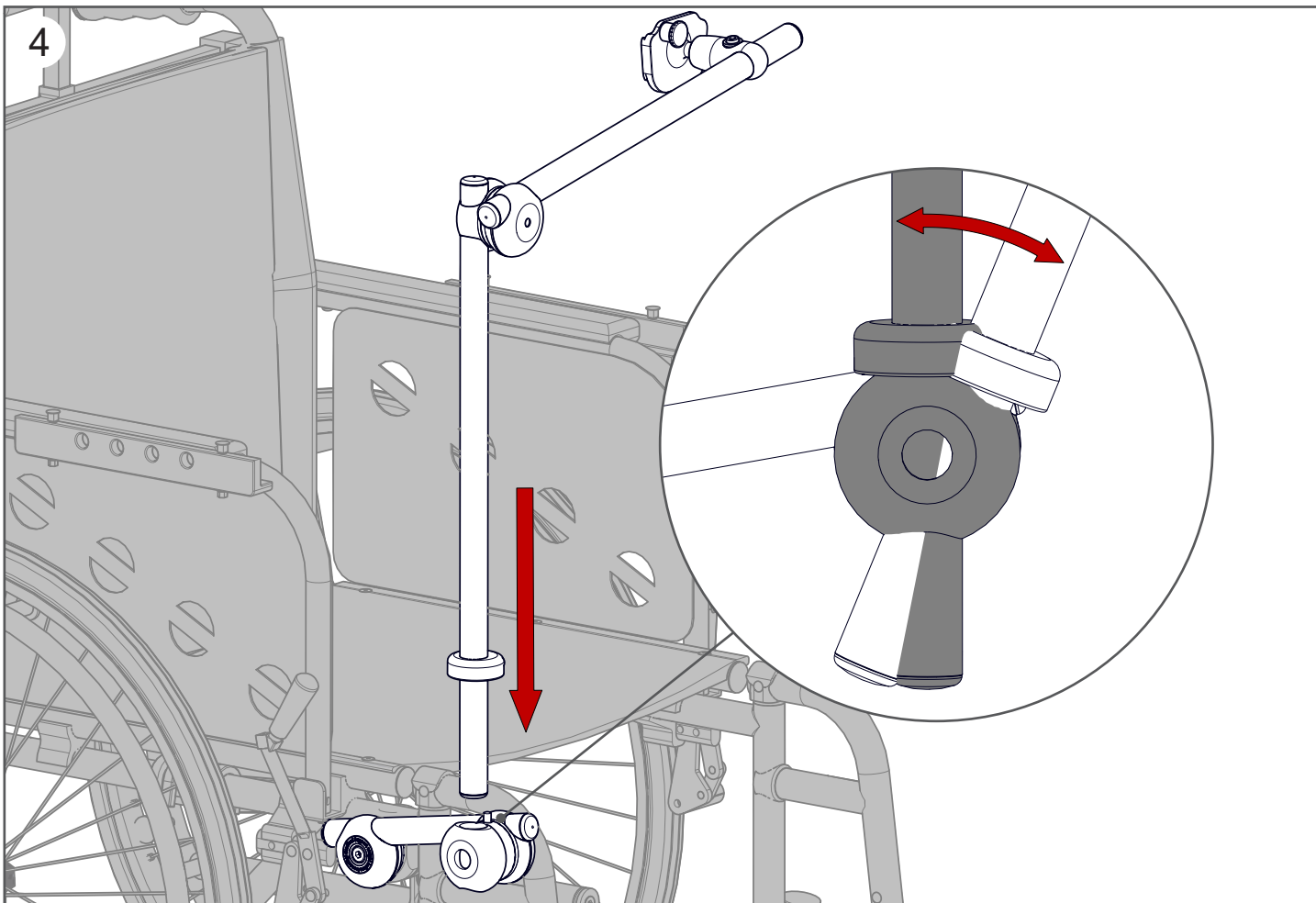
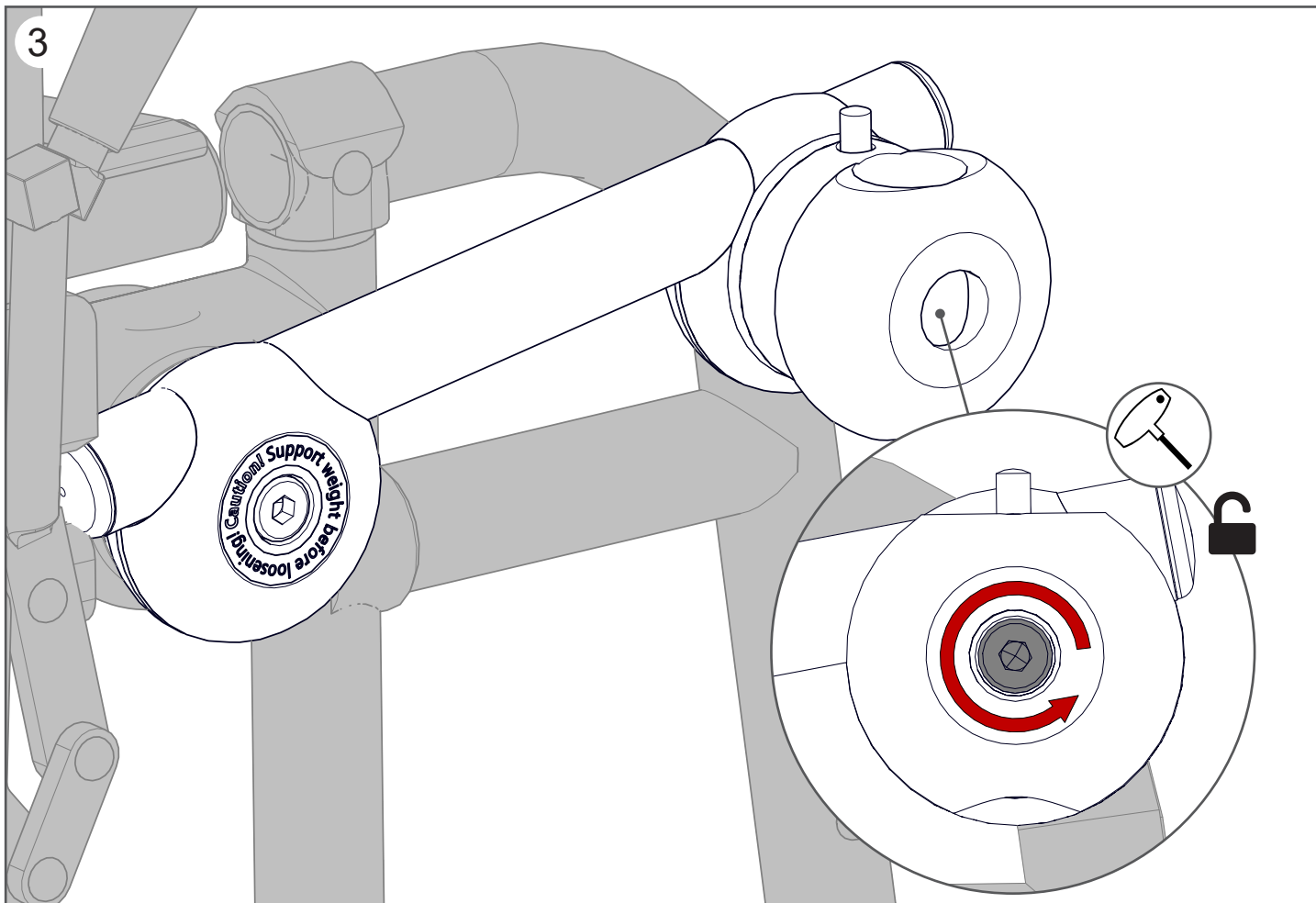


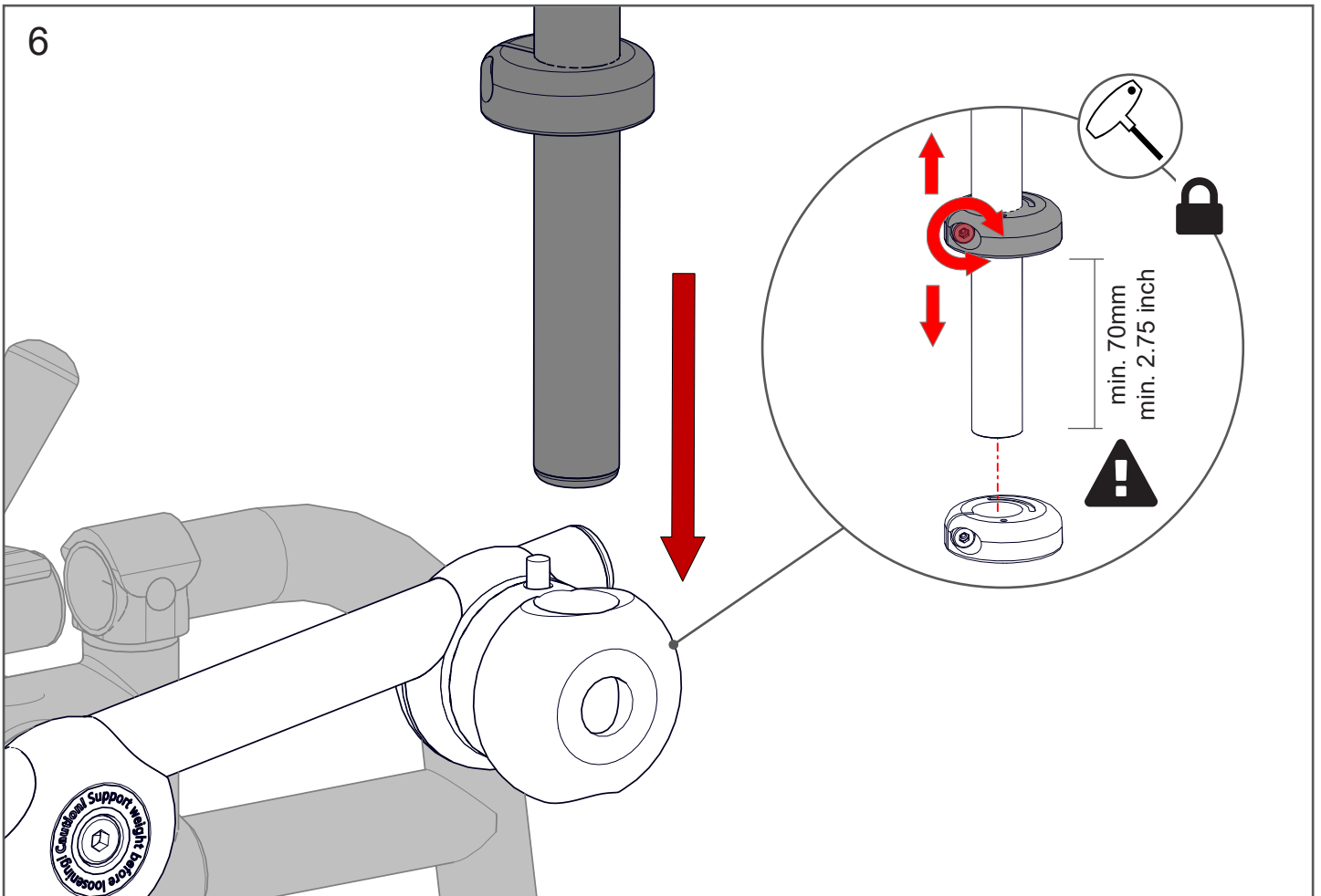
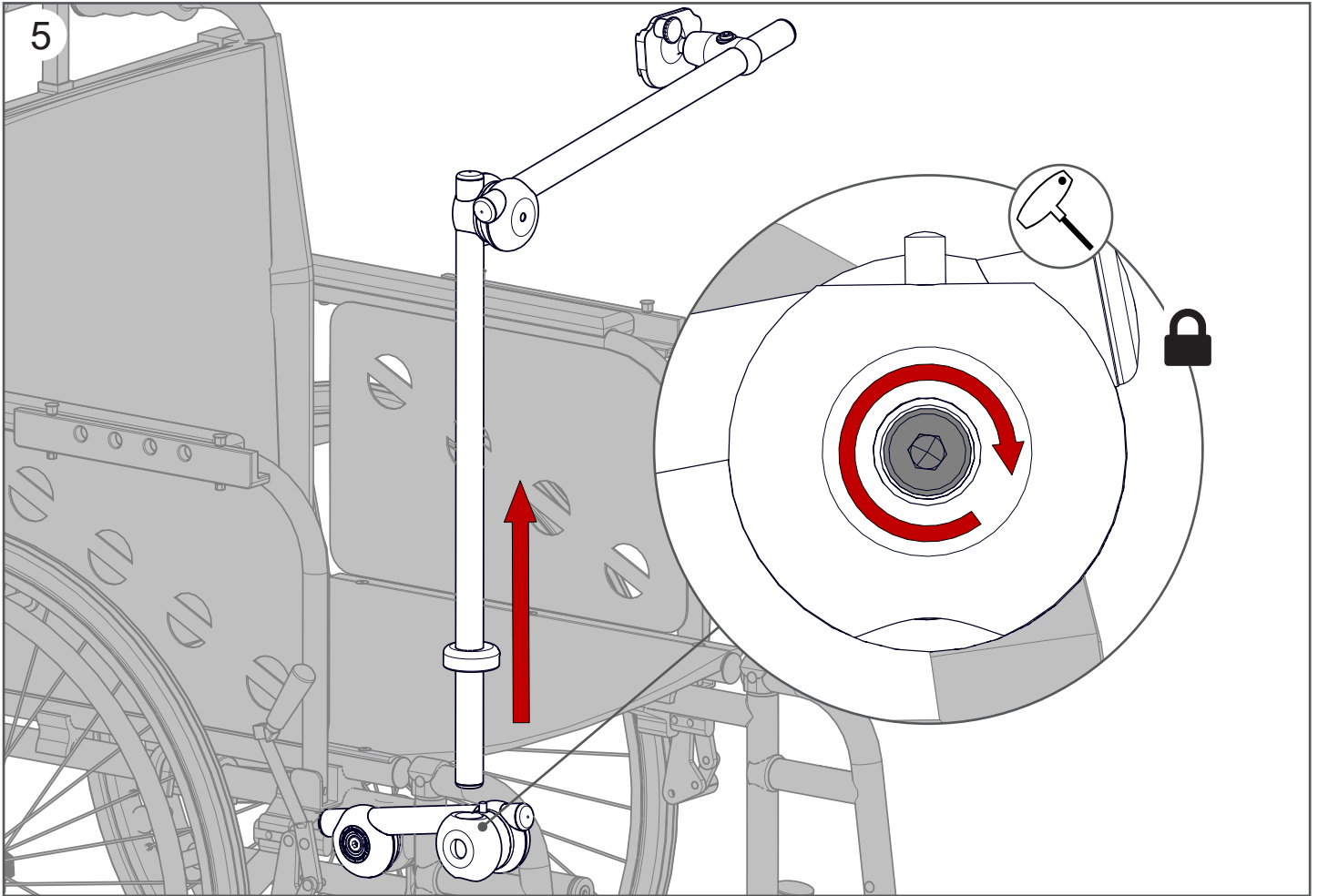




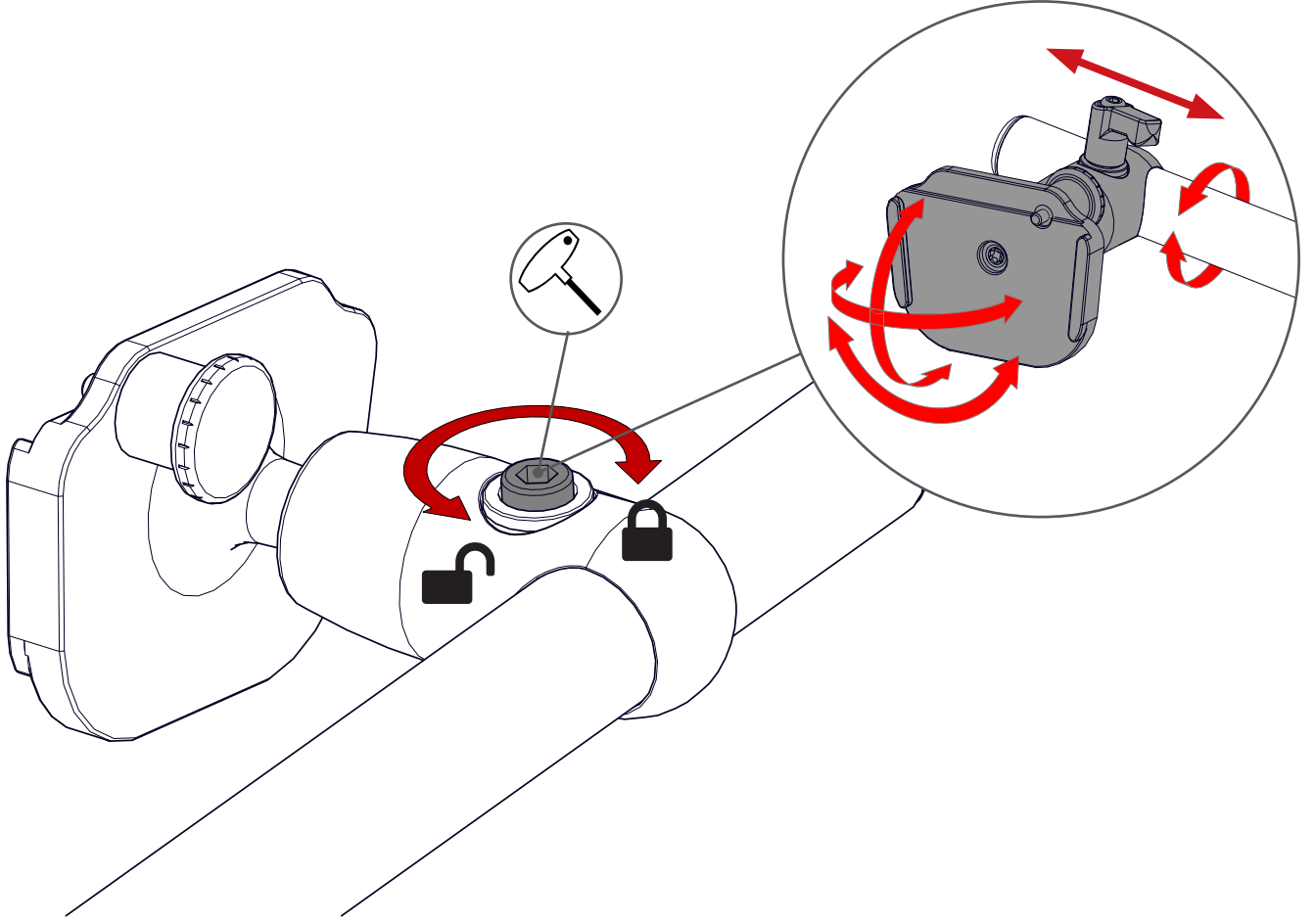






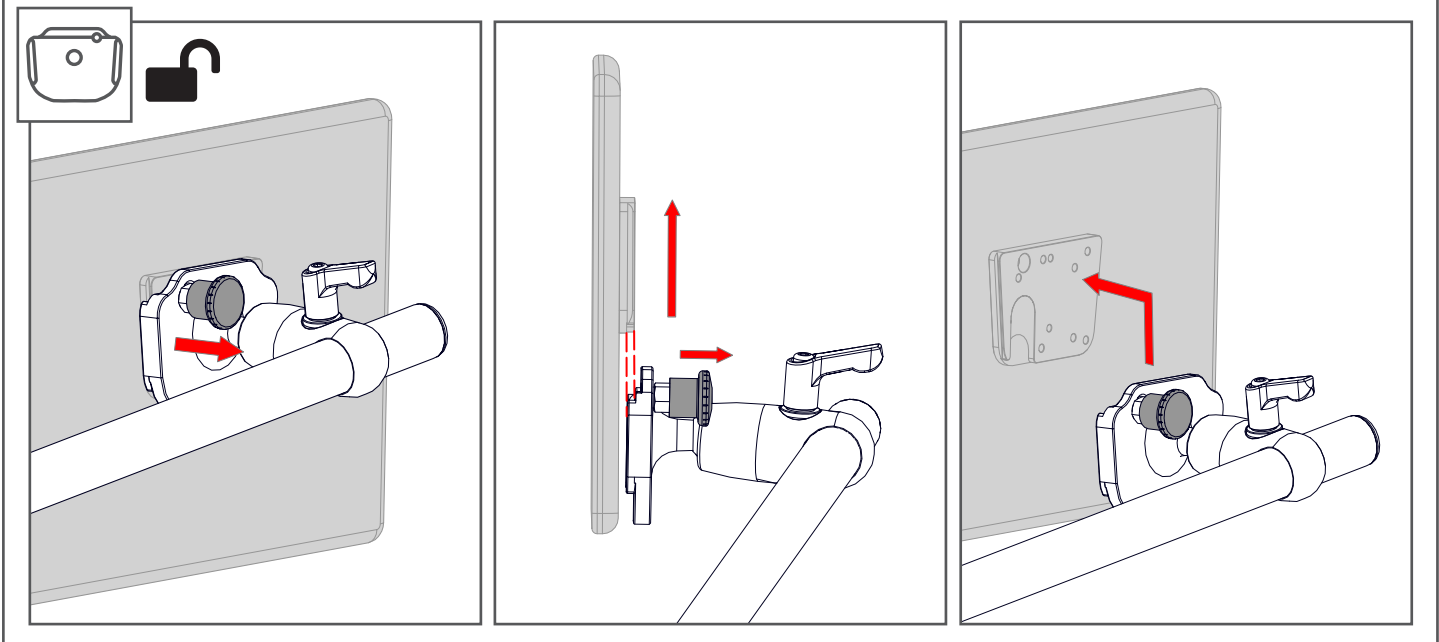
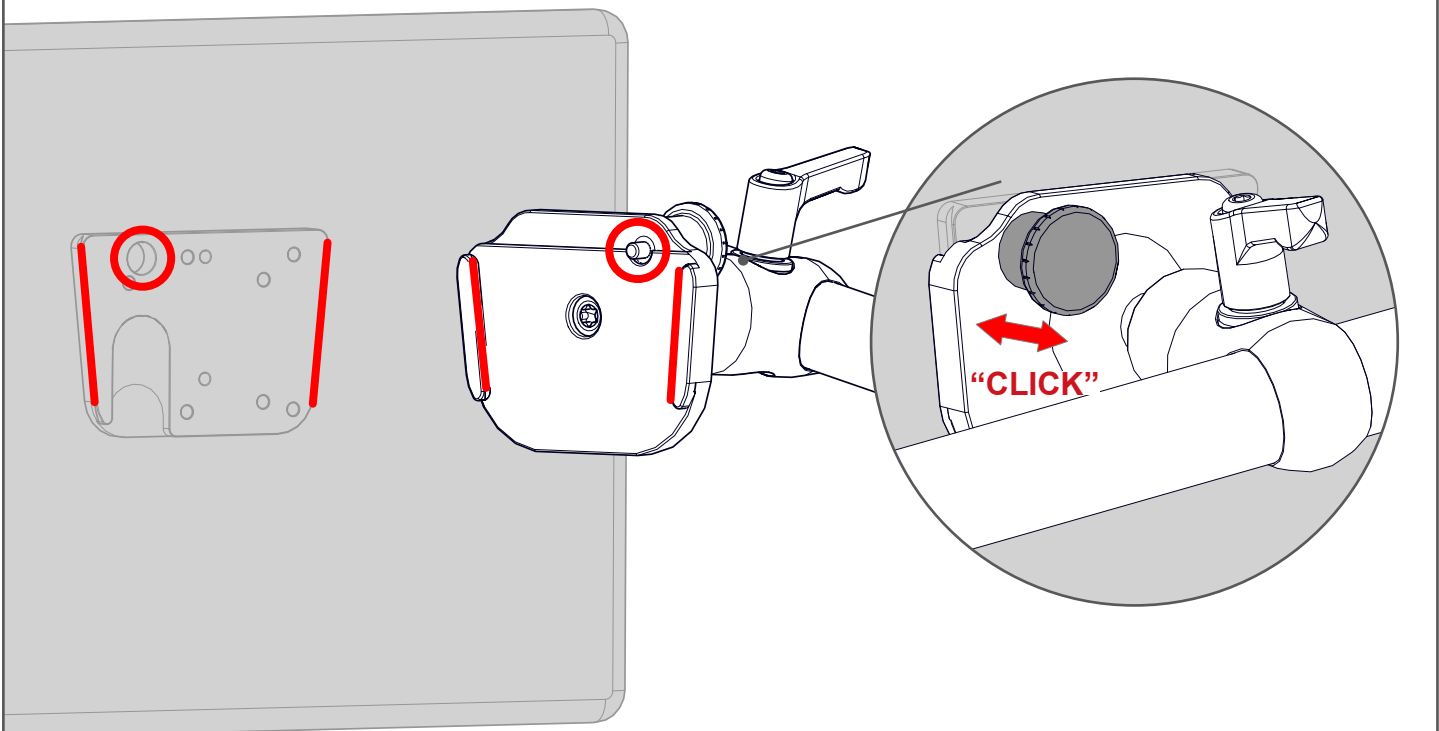
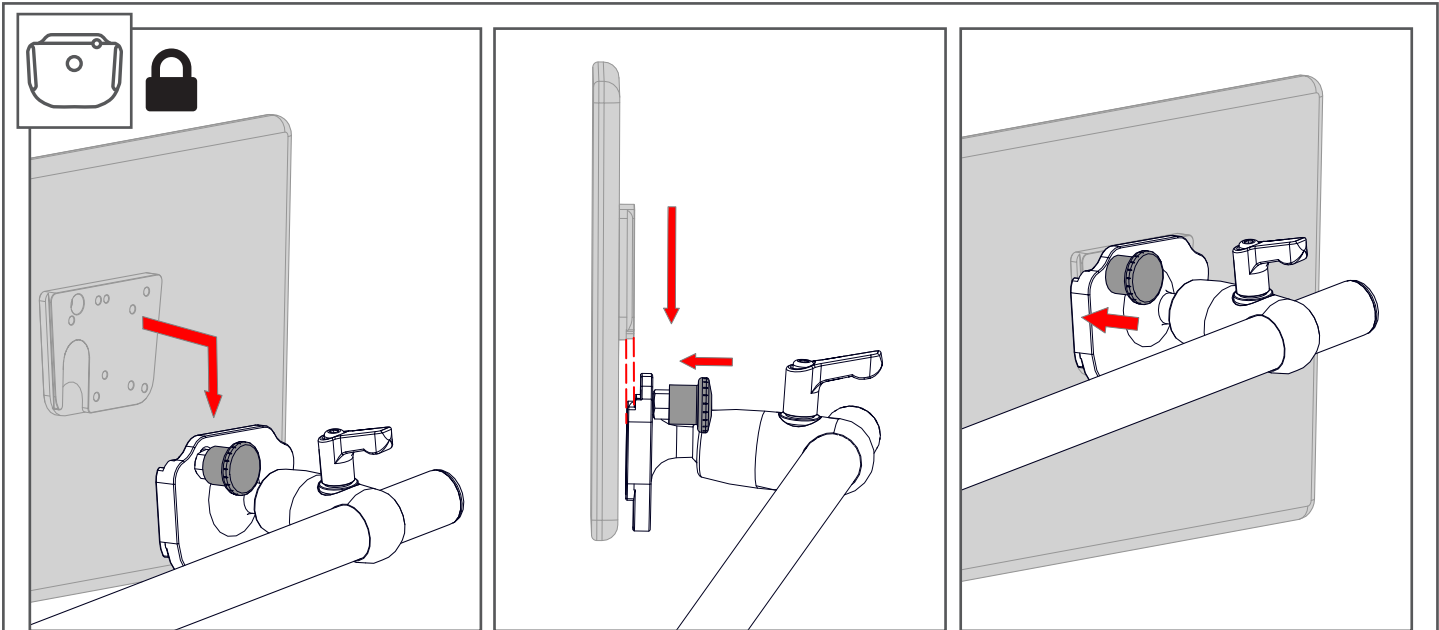


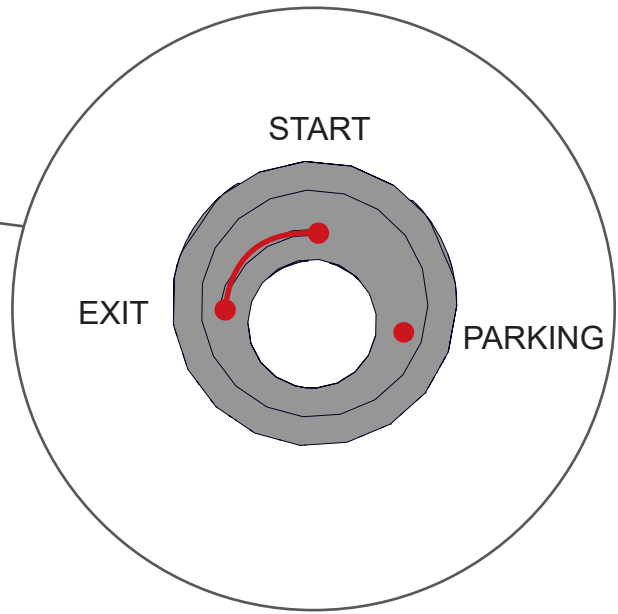
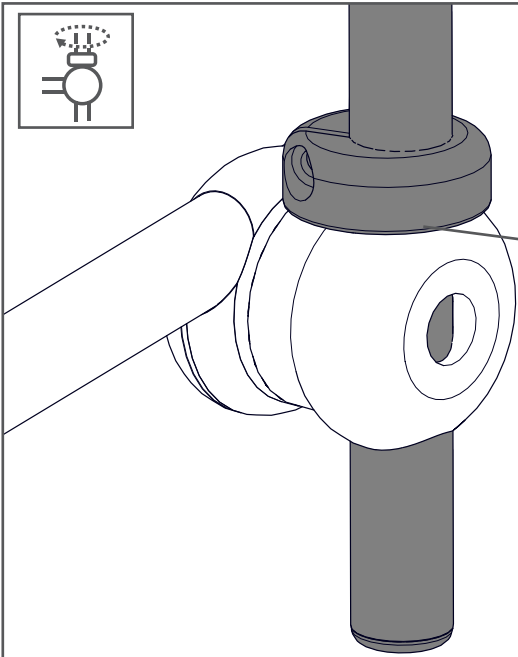
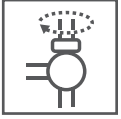
6





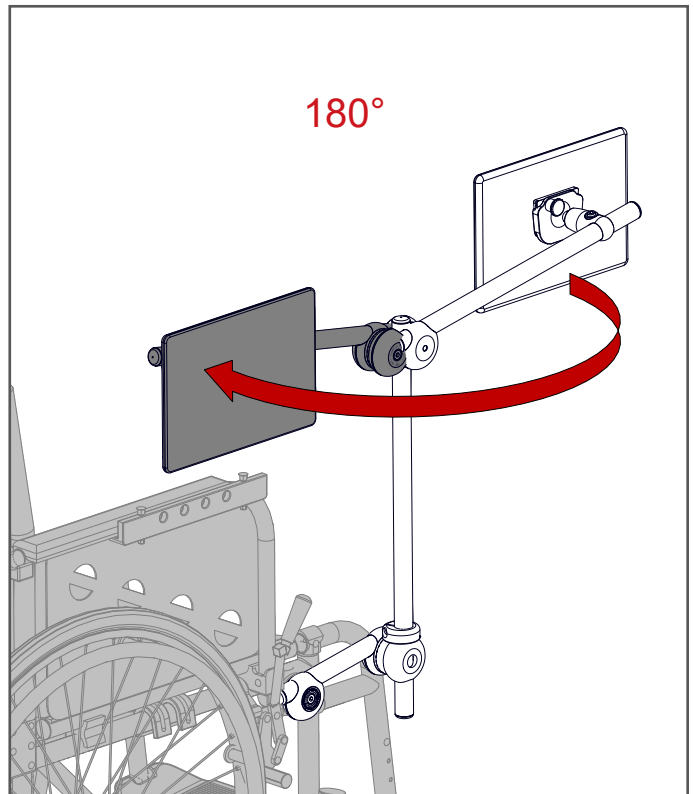
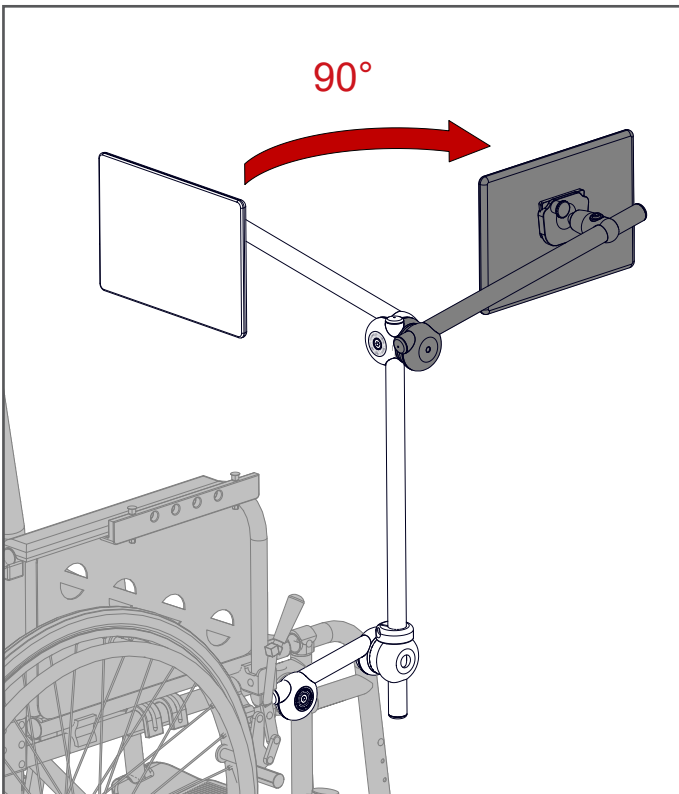
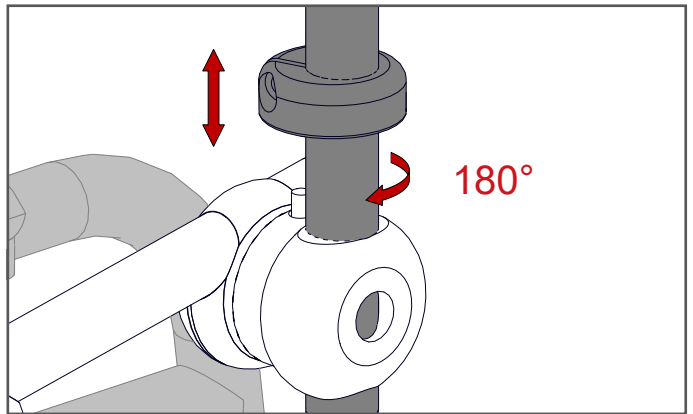
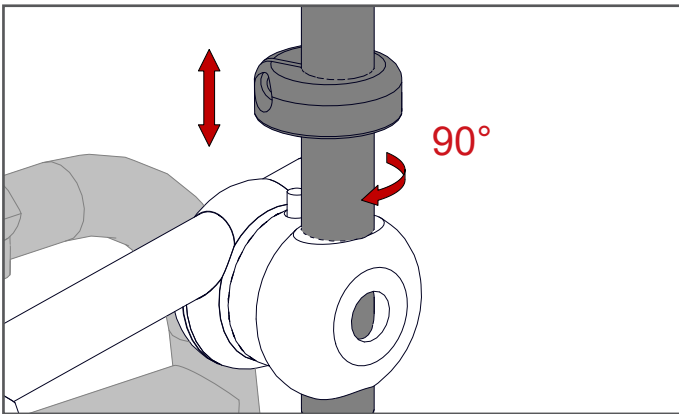


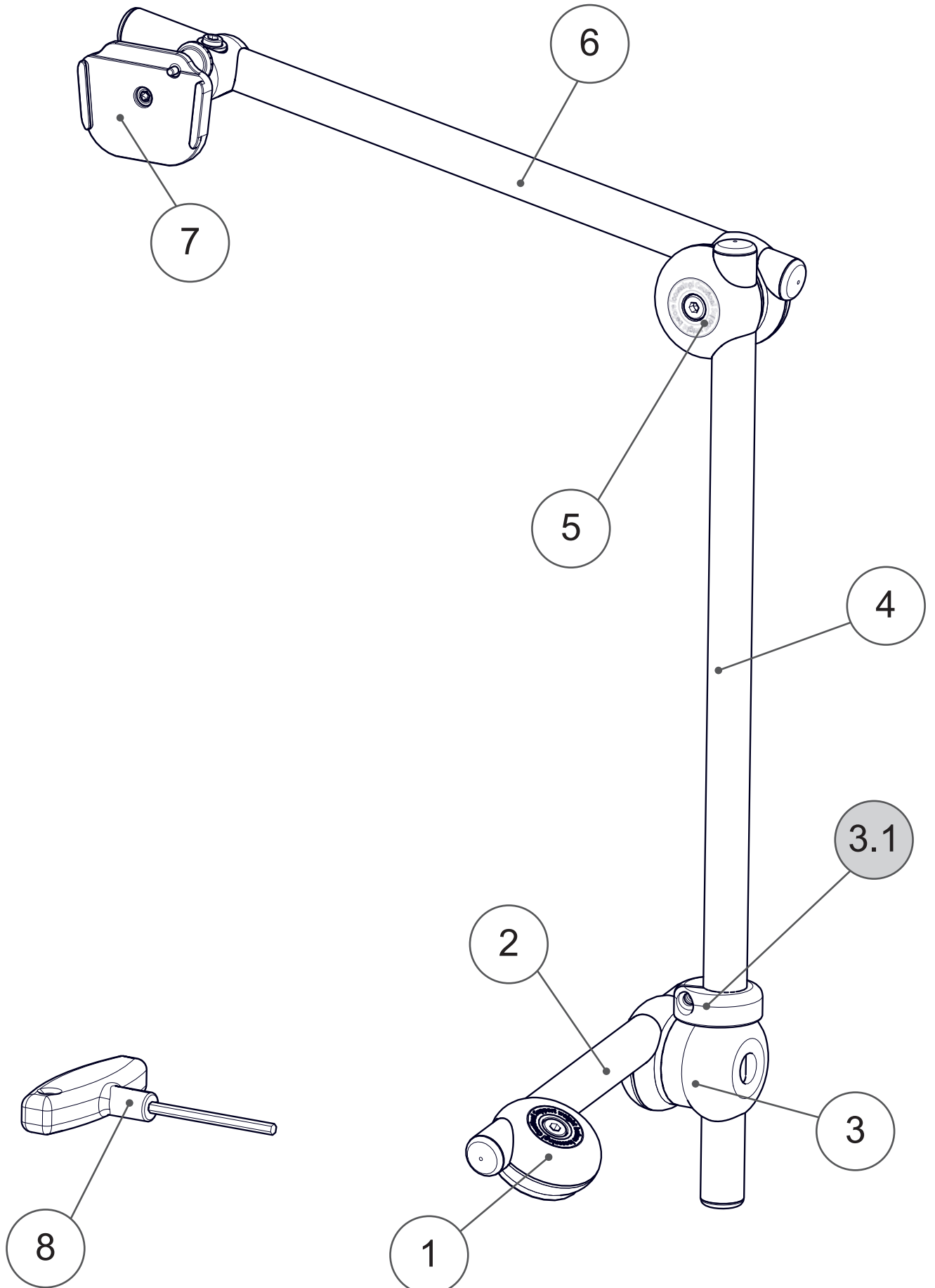




START → EXIT

EXIT → PARKING



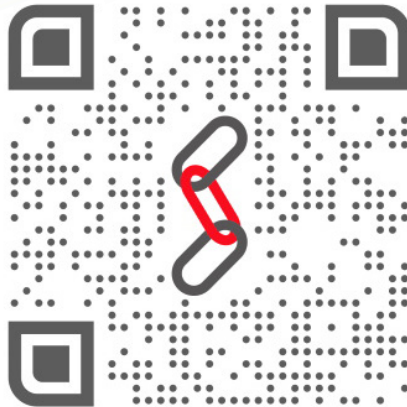


<b>Pos.</b>	<b>No.</b>	<b>Bezeichnung</b>	<b>Description</b>
1	11.1102	M3D Rohraufnahme	M3D Tube Socket
2	01.5005	Rohr Ø22x200	Tube Ø22x200
3	11.1210	M3D Schwenklager	M3D Swivel unit
3.1	11.1253	M3D Rast 3xB6	M3D Indexing-Latch 3xB6
4	01.5030	Rohr Ø22x500	Tube Ø22x500
5	11.1300	M3D Universal	M3D Universal
6	01.5020	Rohr Ø22x400	Tube Ø22x400
7	16.1000	UGA-22	UDS-22
8	01.0027	T-Griff	T-Handle









Rehadapt Engineering  
GmbH & Co. KG

📄 Heinrich-Hertz-Str. 104  
34123 Kassel, Germany

☎ Tel.: +49 561 220 717 0  
📠 Fax: +49 561 220 717 99

✉ officeteam@rehadapt.com  
🌐 <https://rehadapt.com>



Rehadapt  
North America

📄 40 Oser Ave  
Hauppauge, NY 11788, USA

☎ Tel.: 1 (888) 635-6962  
📠 Fax: 1 (888) 635-6962

✉ officeteam.na@rehadapt.com  
🌐 <https://rehadapt.com>