

# Monty 3D

- 11.2211 Monty 3D TT
- 11.2211CM Custom Monty 3D TT

Sicherheitshinweise  
Safety Instructions



Montage  
Assembly Instructions



Handhabung  
Handling



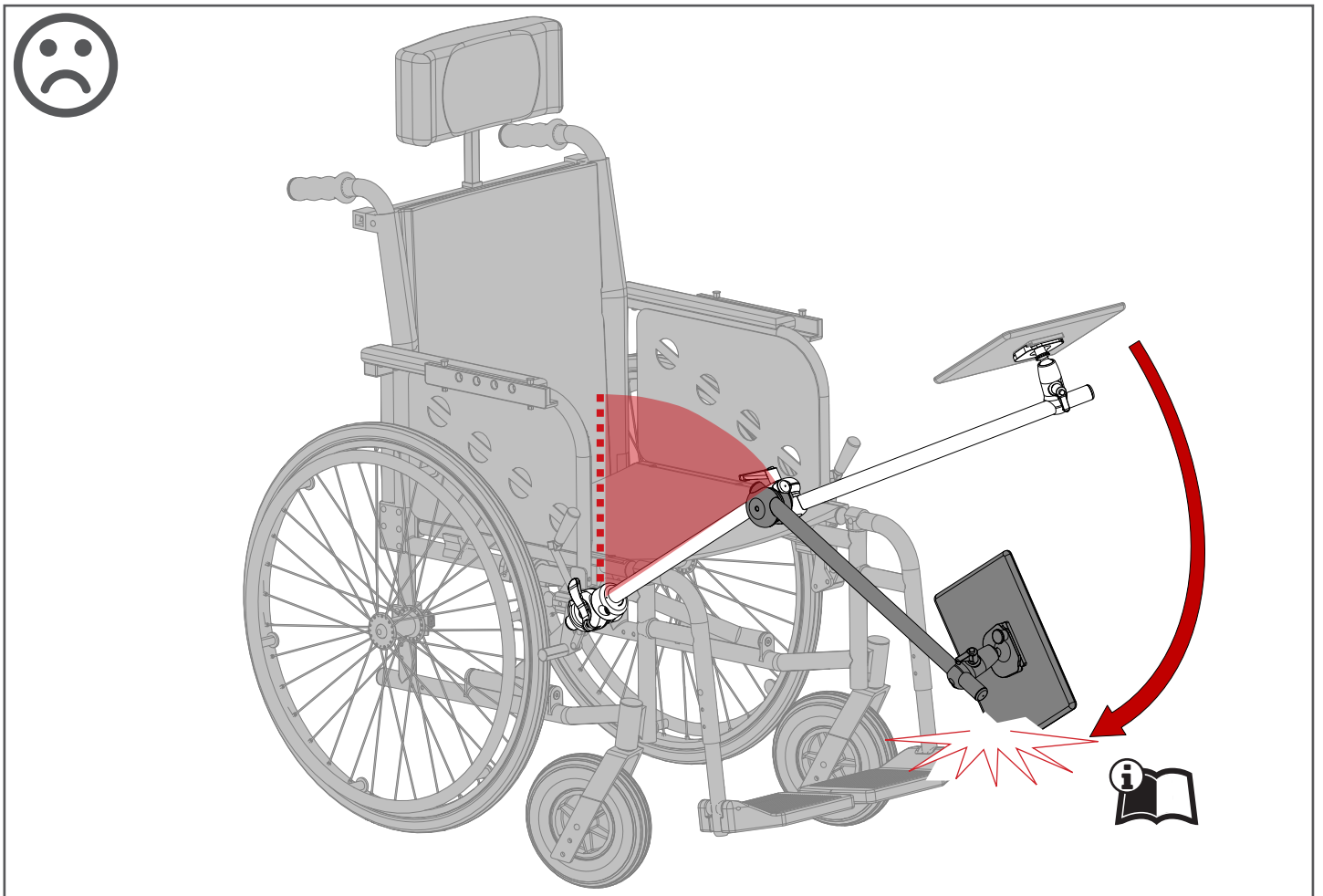
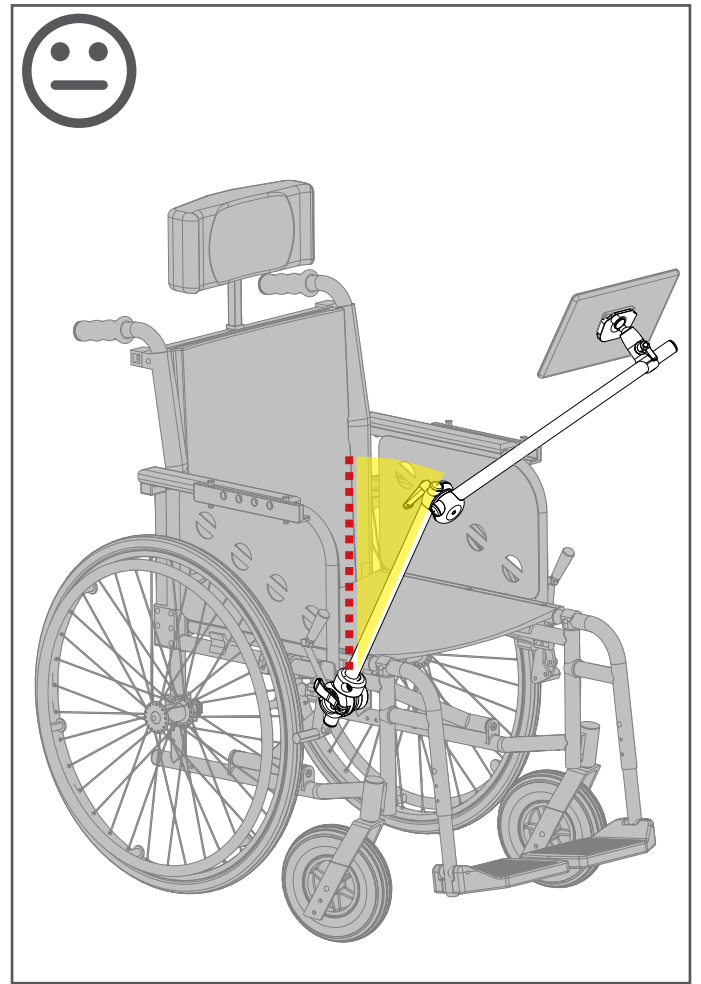
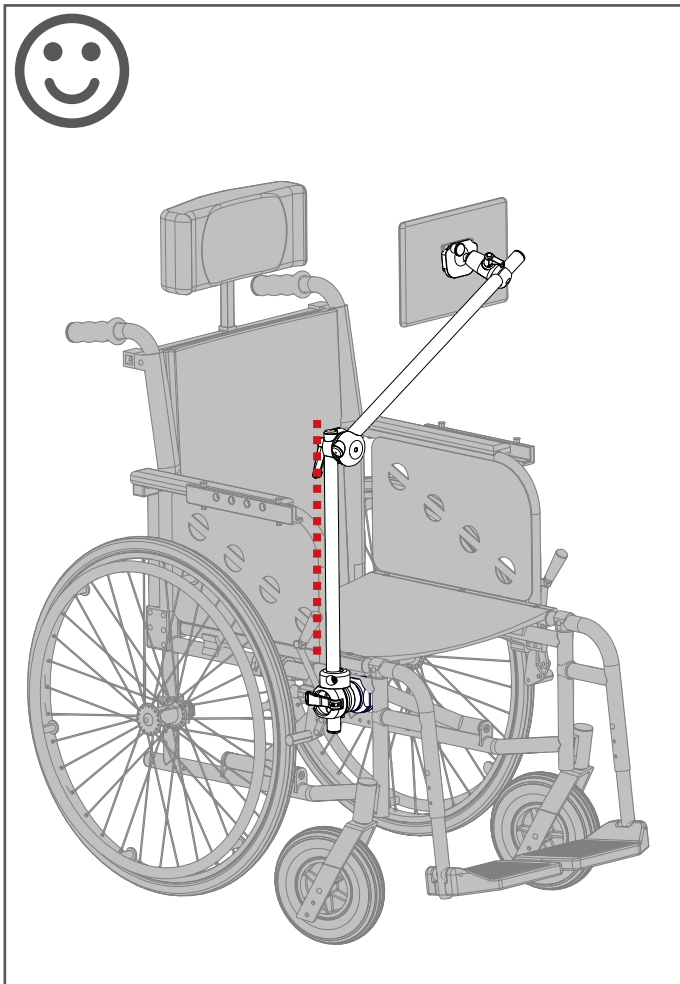
M3D H3D

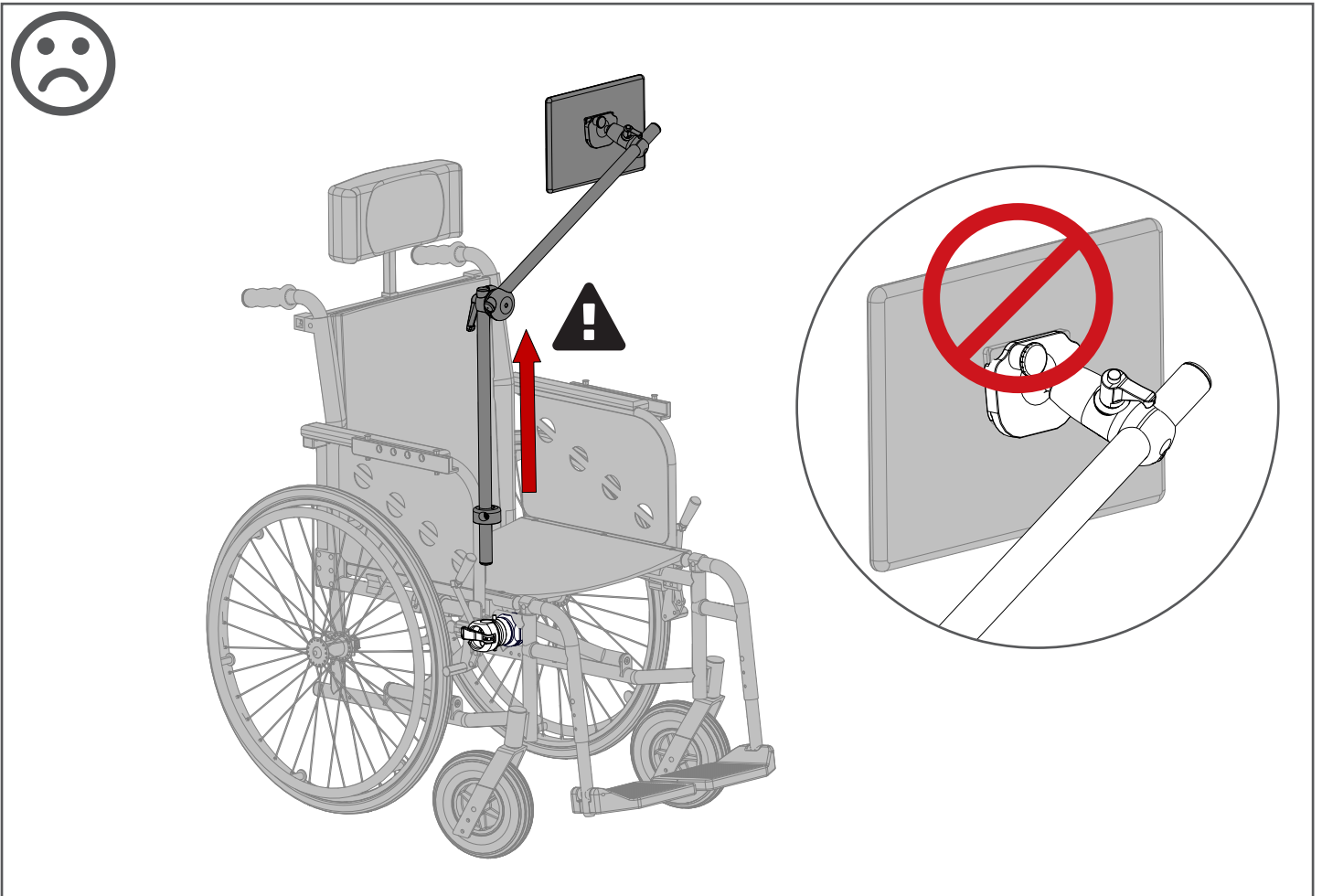
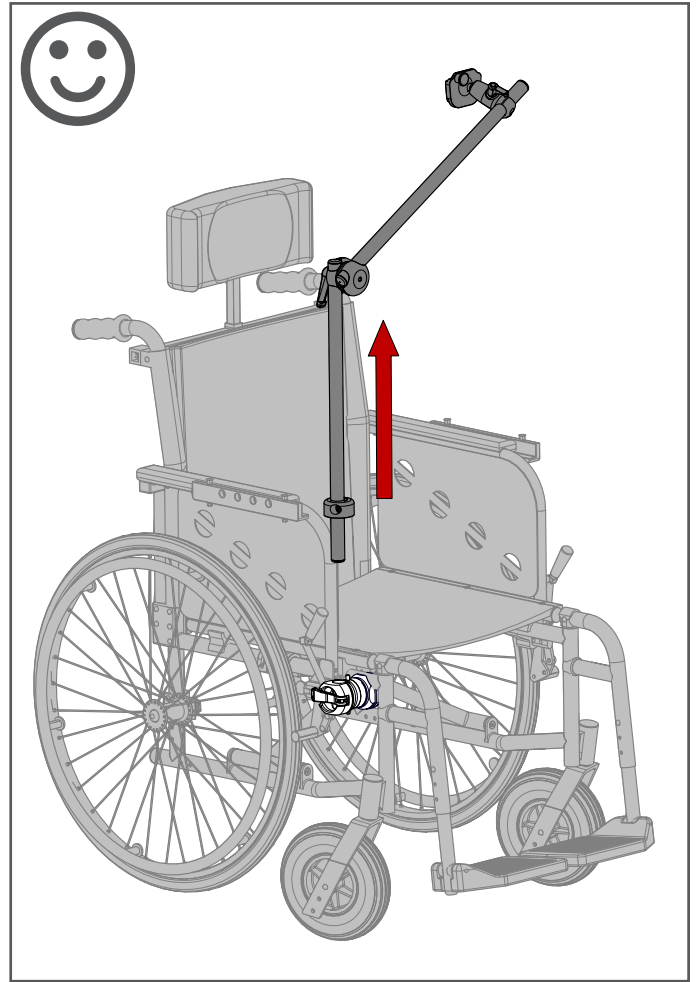
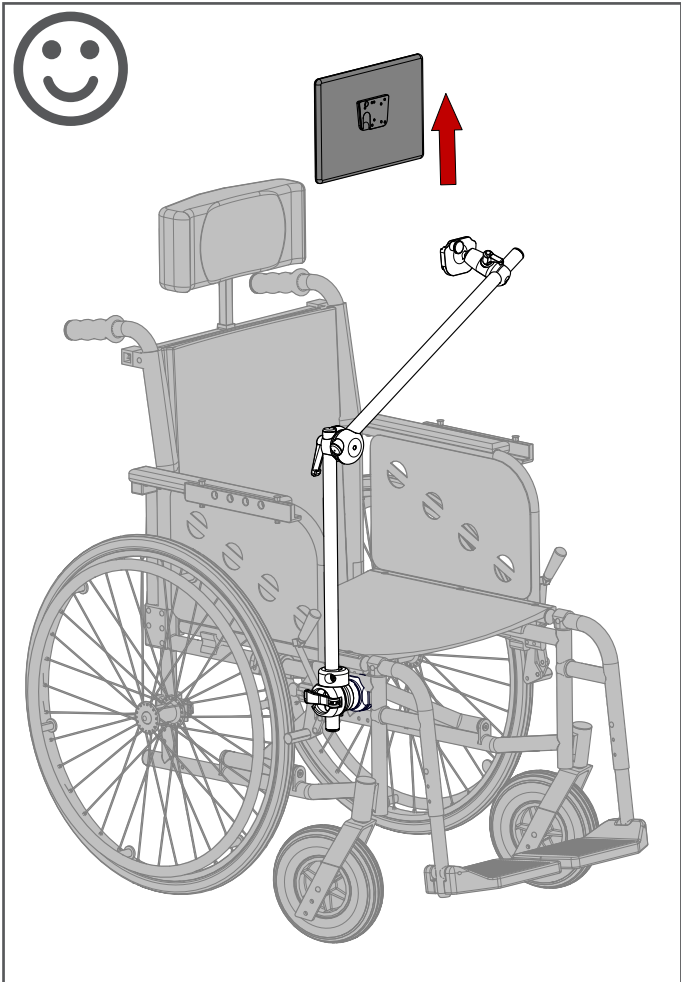
L3D

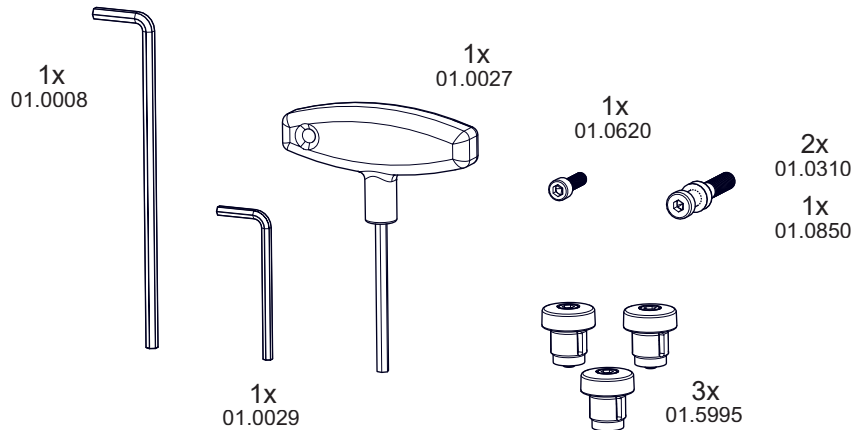
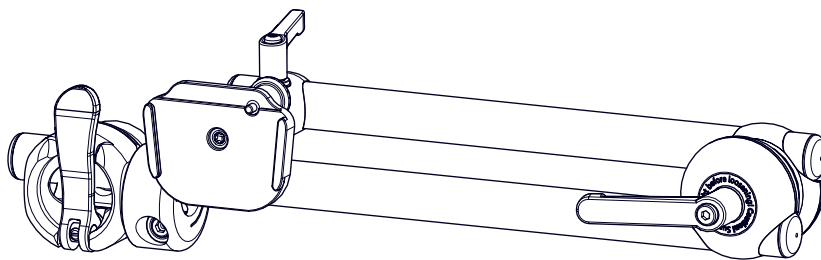
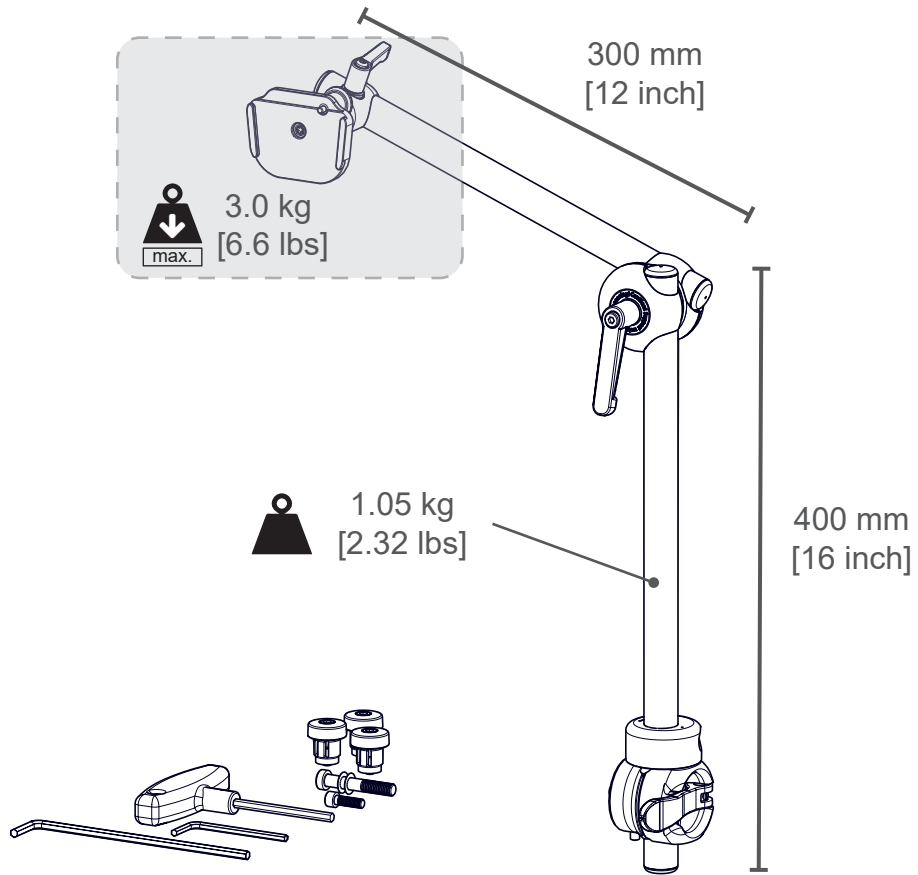
2021-06-20

00.5150~A

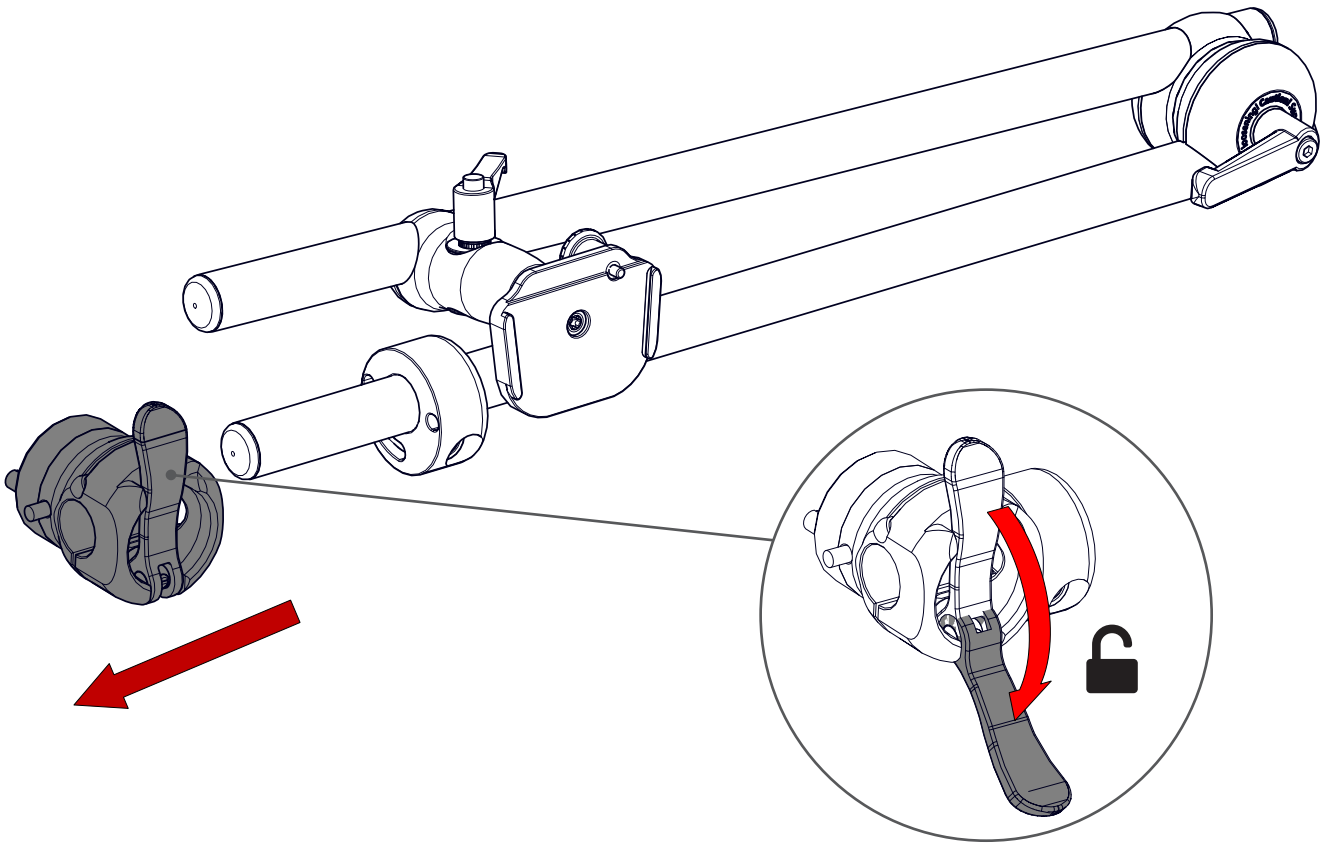




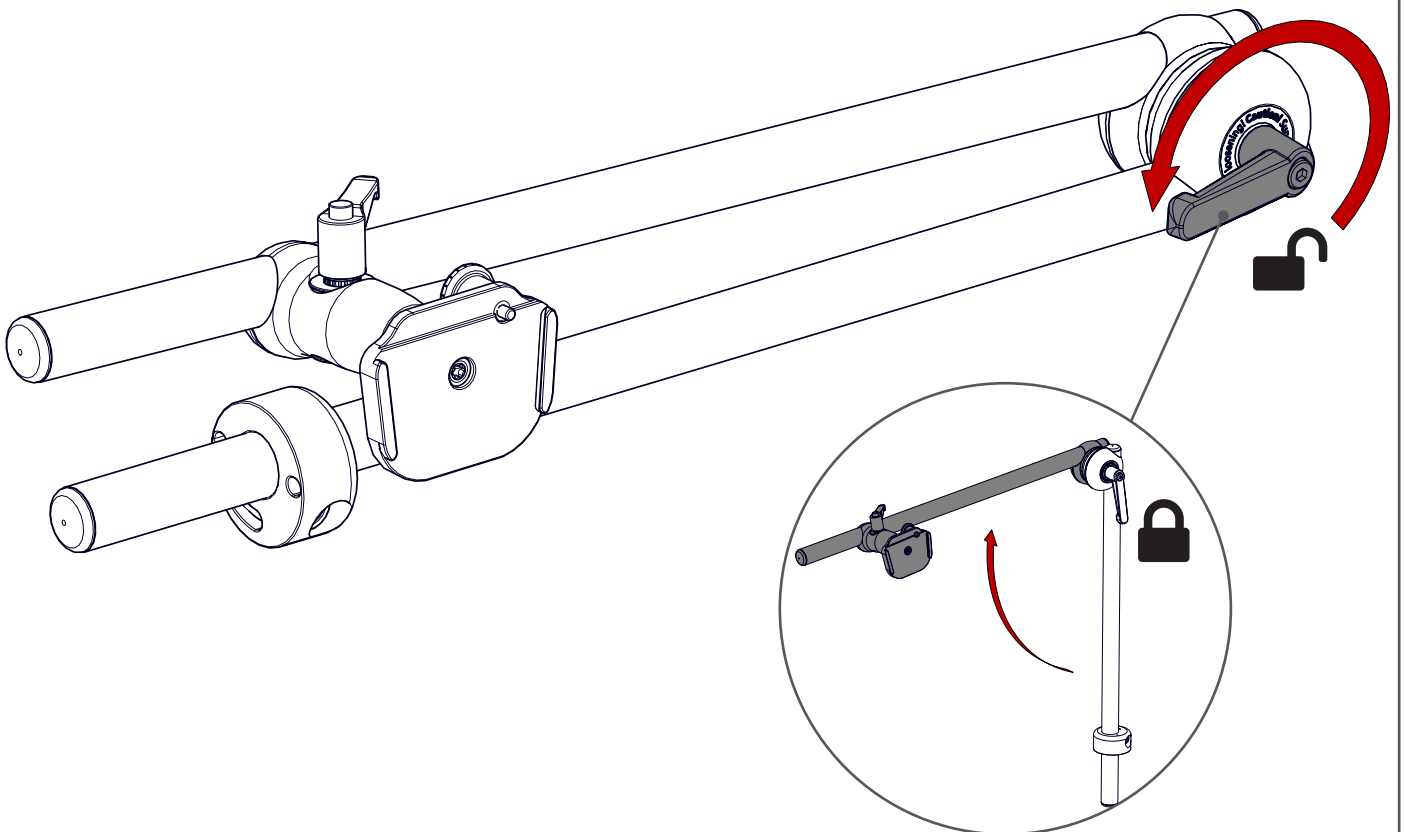


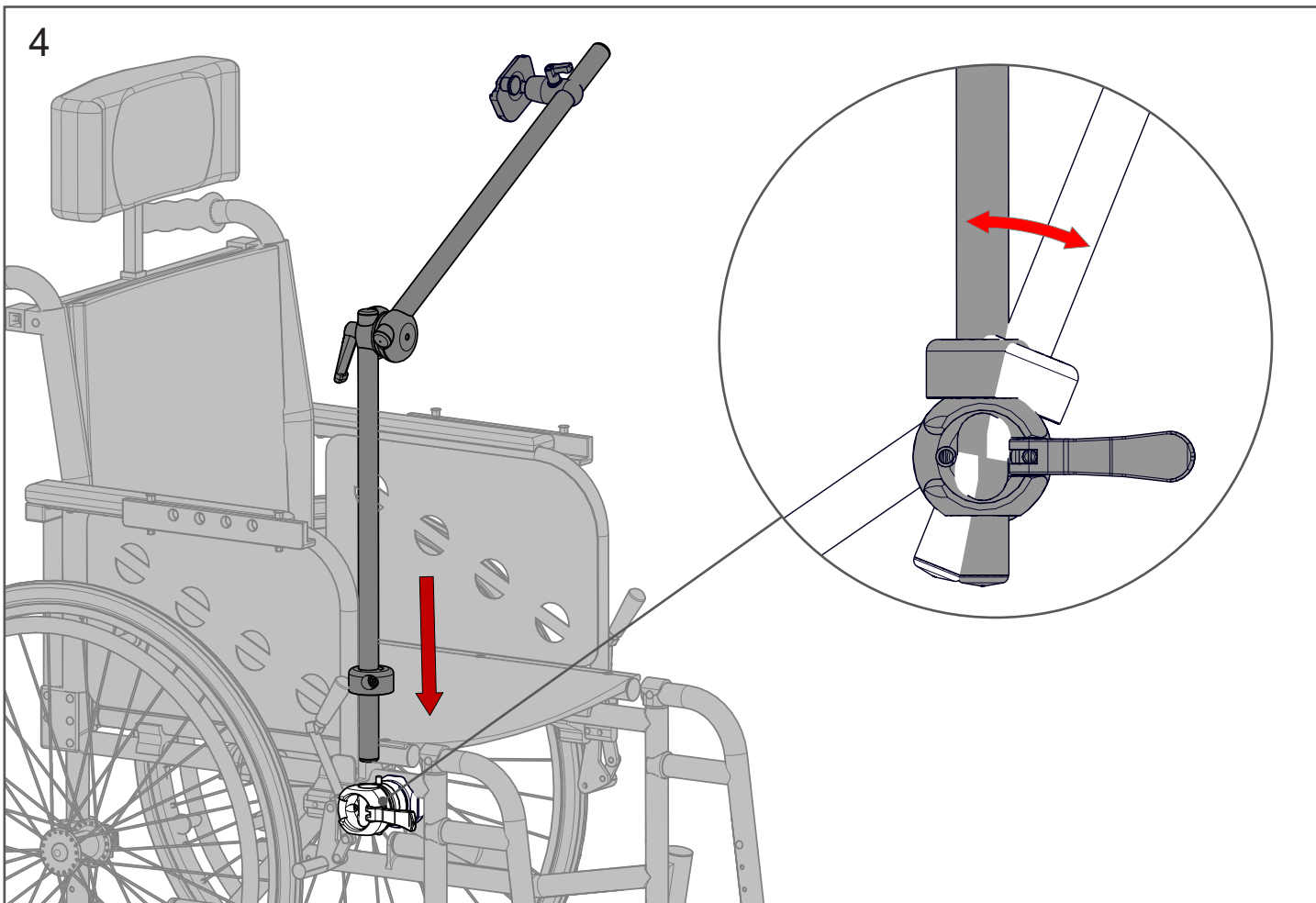
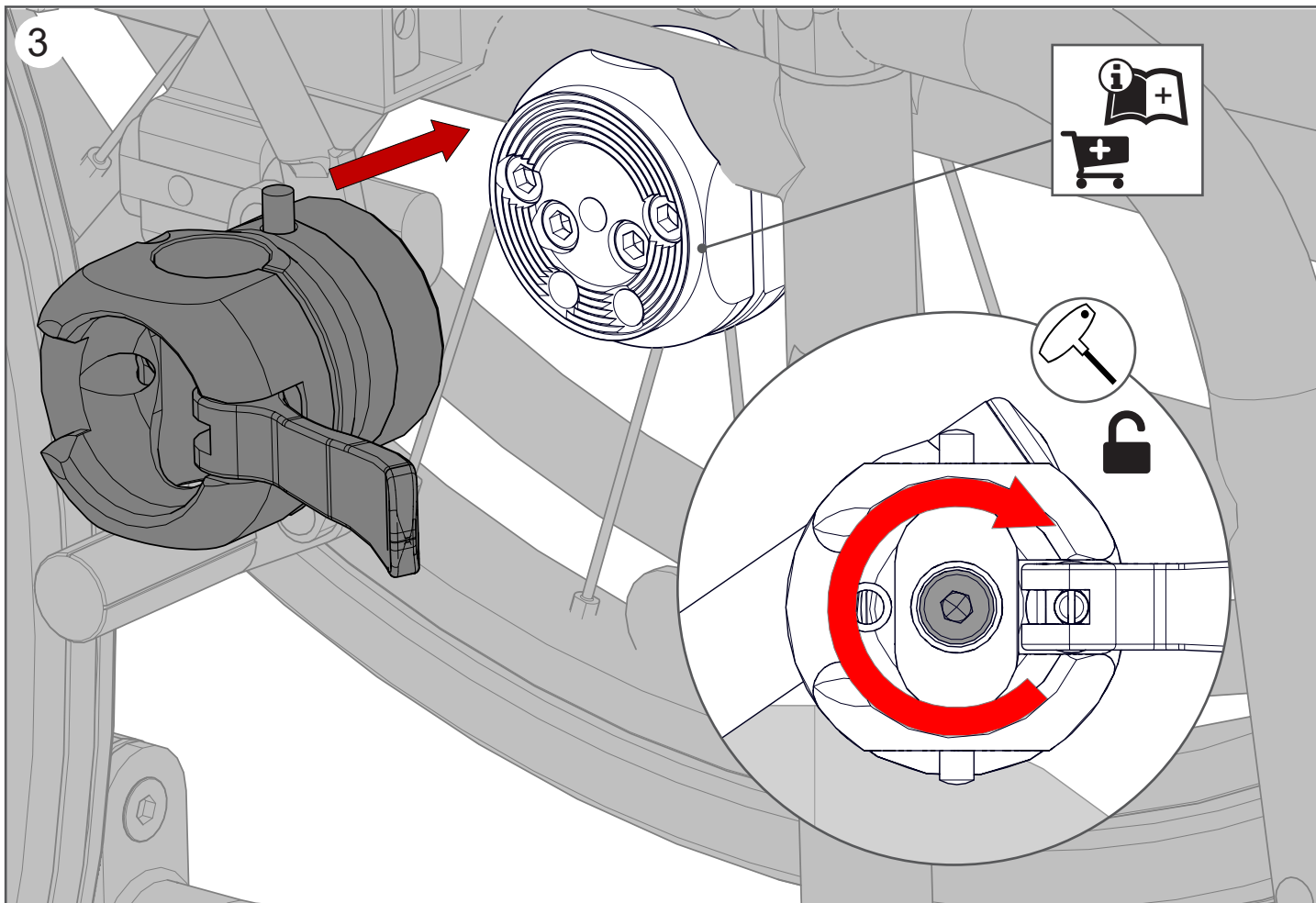


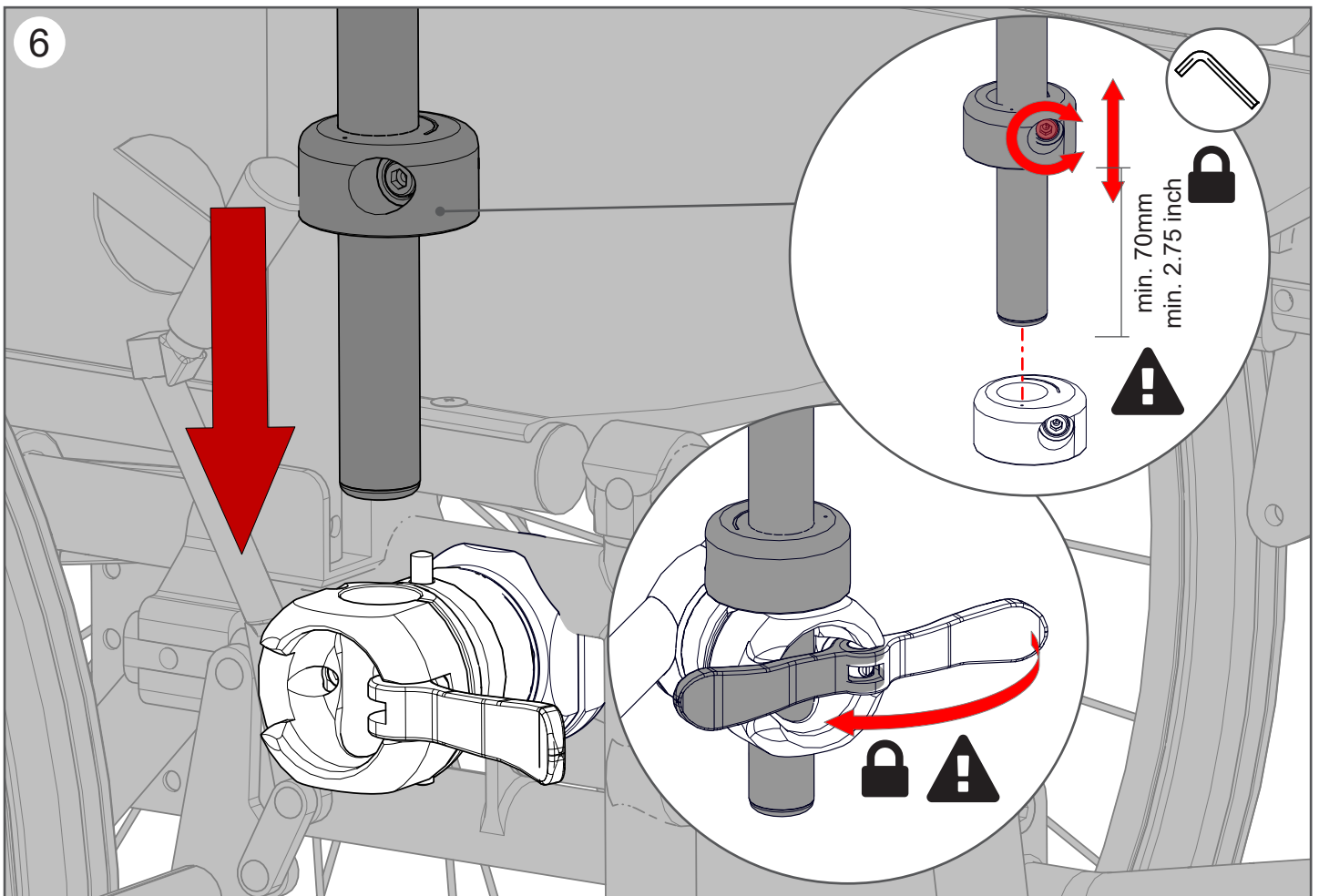
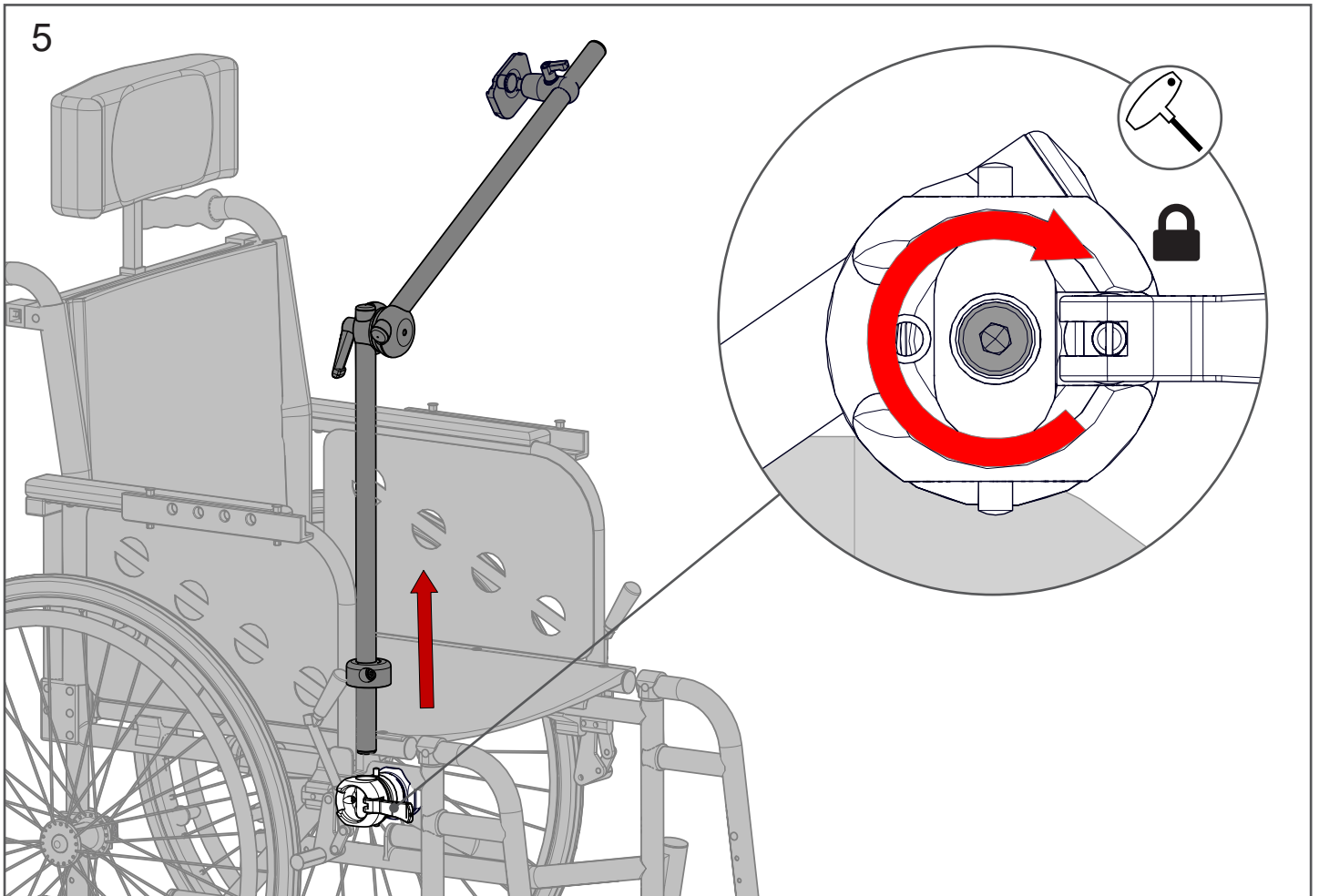
1



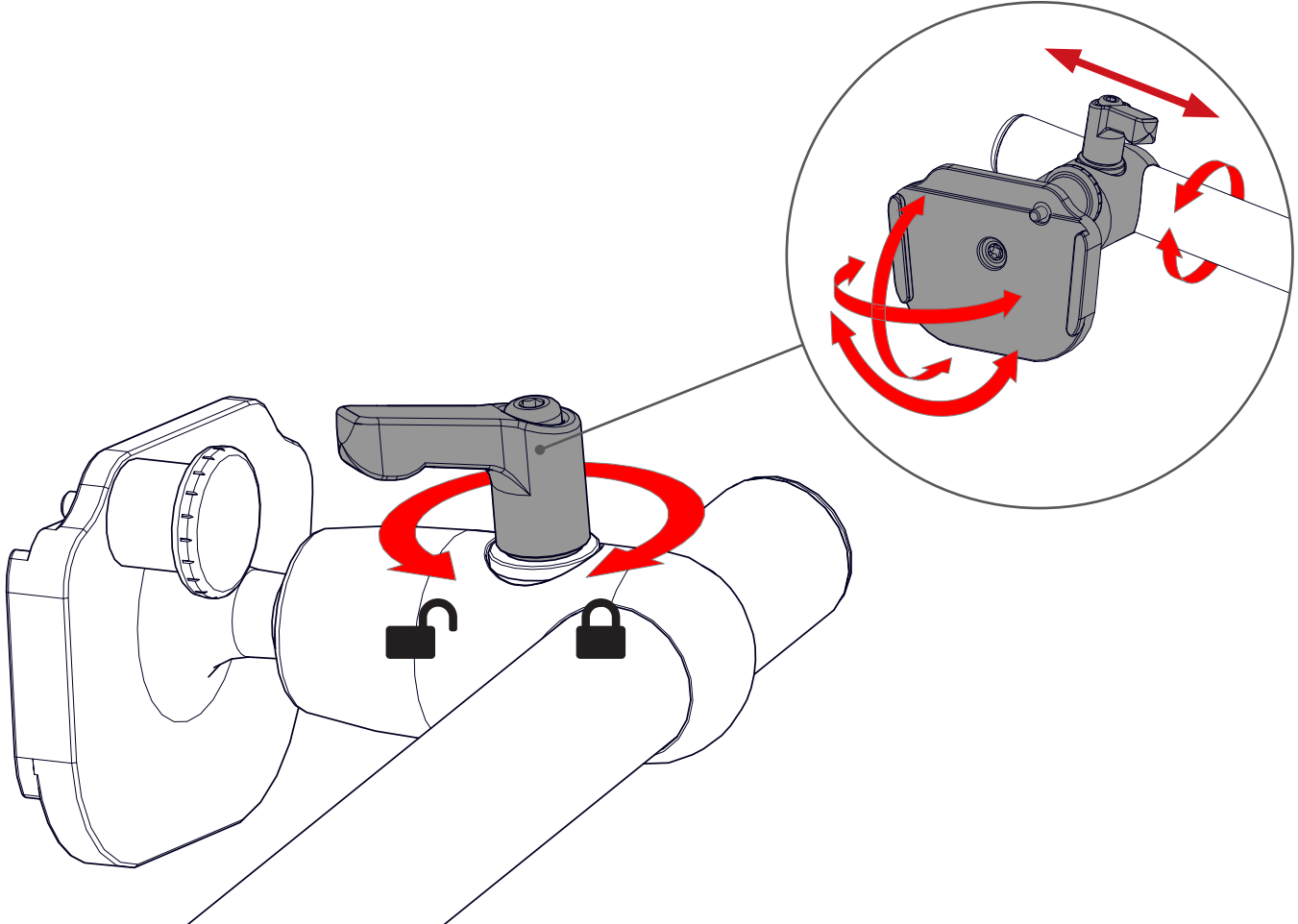
2



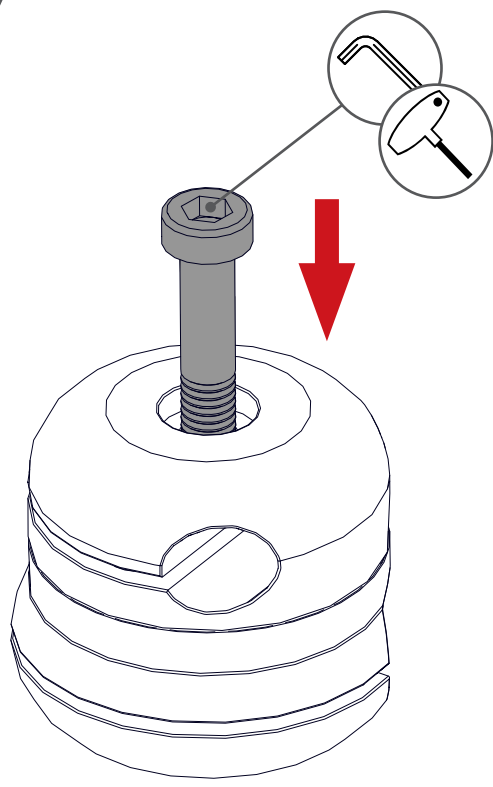
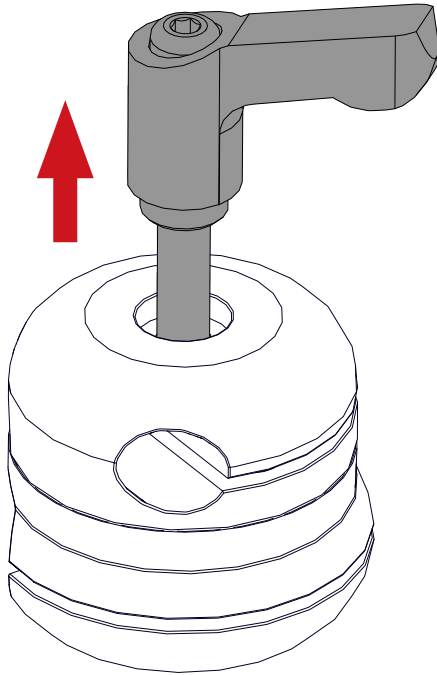
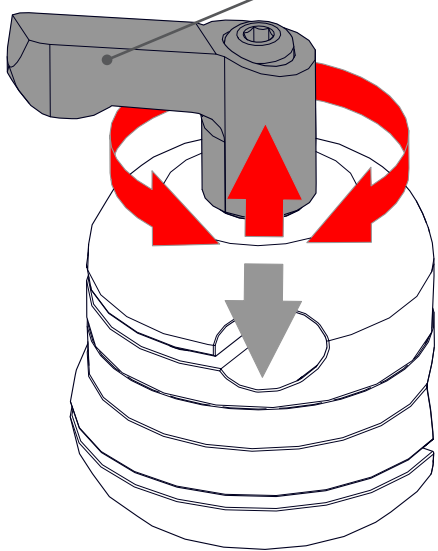
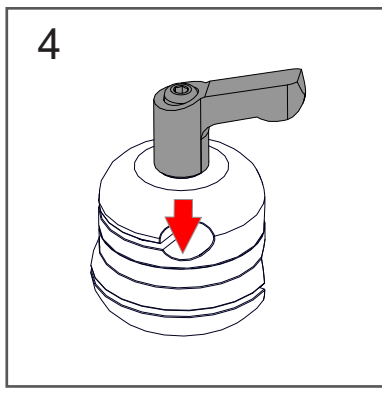
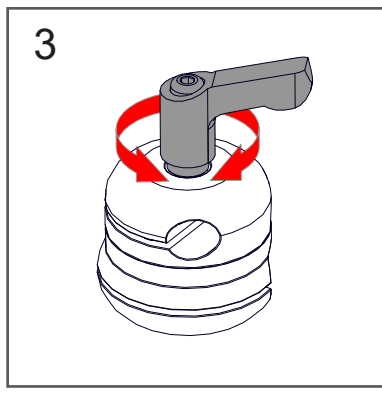
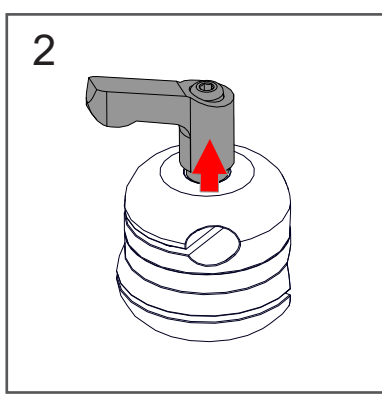
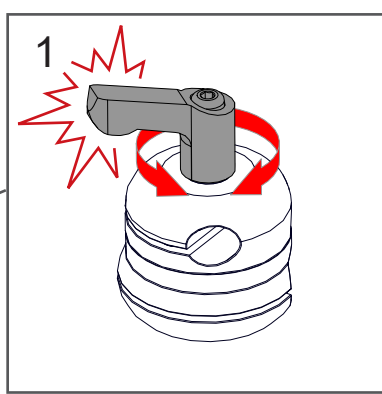
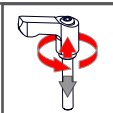


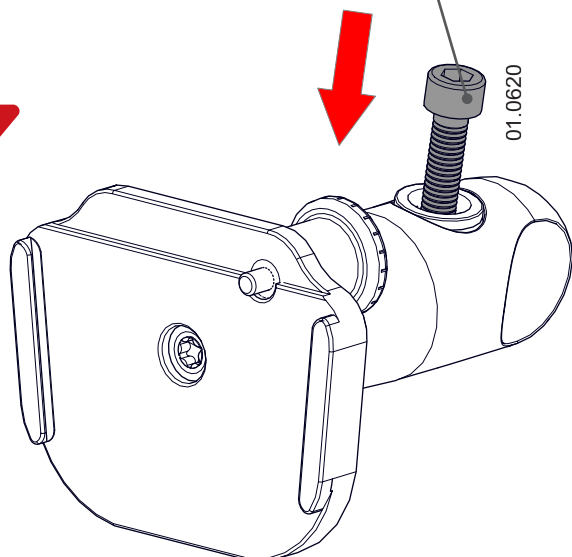
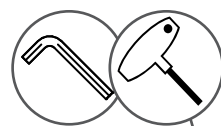
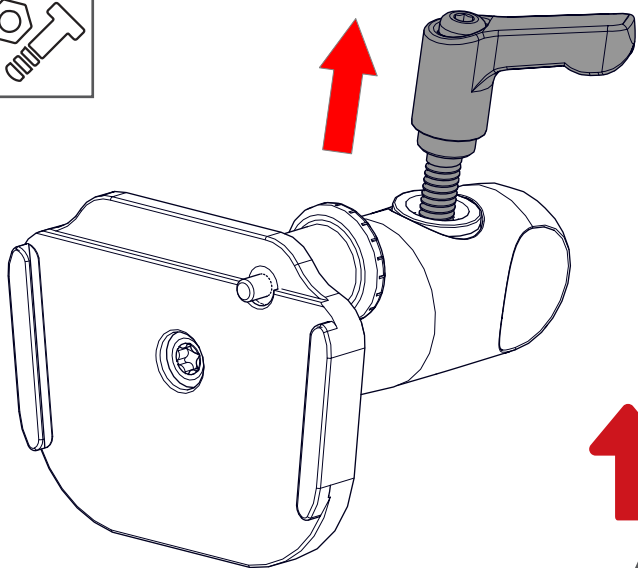
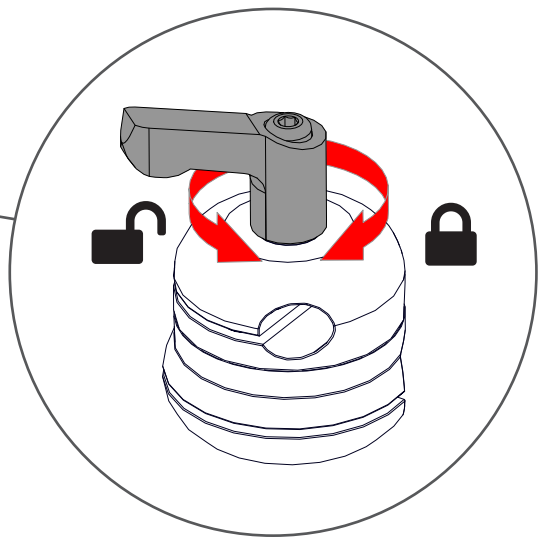
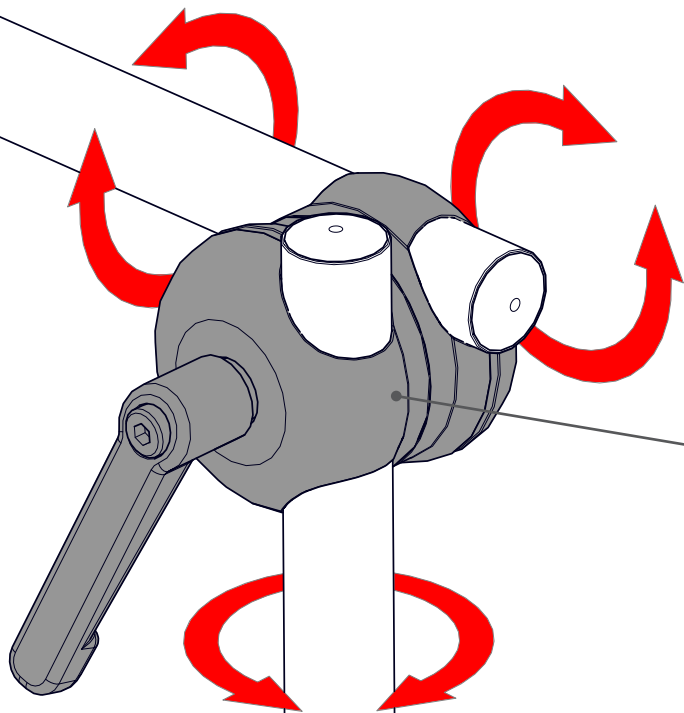
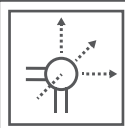


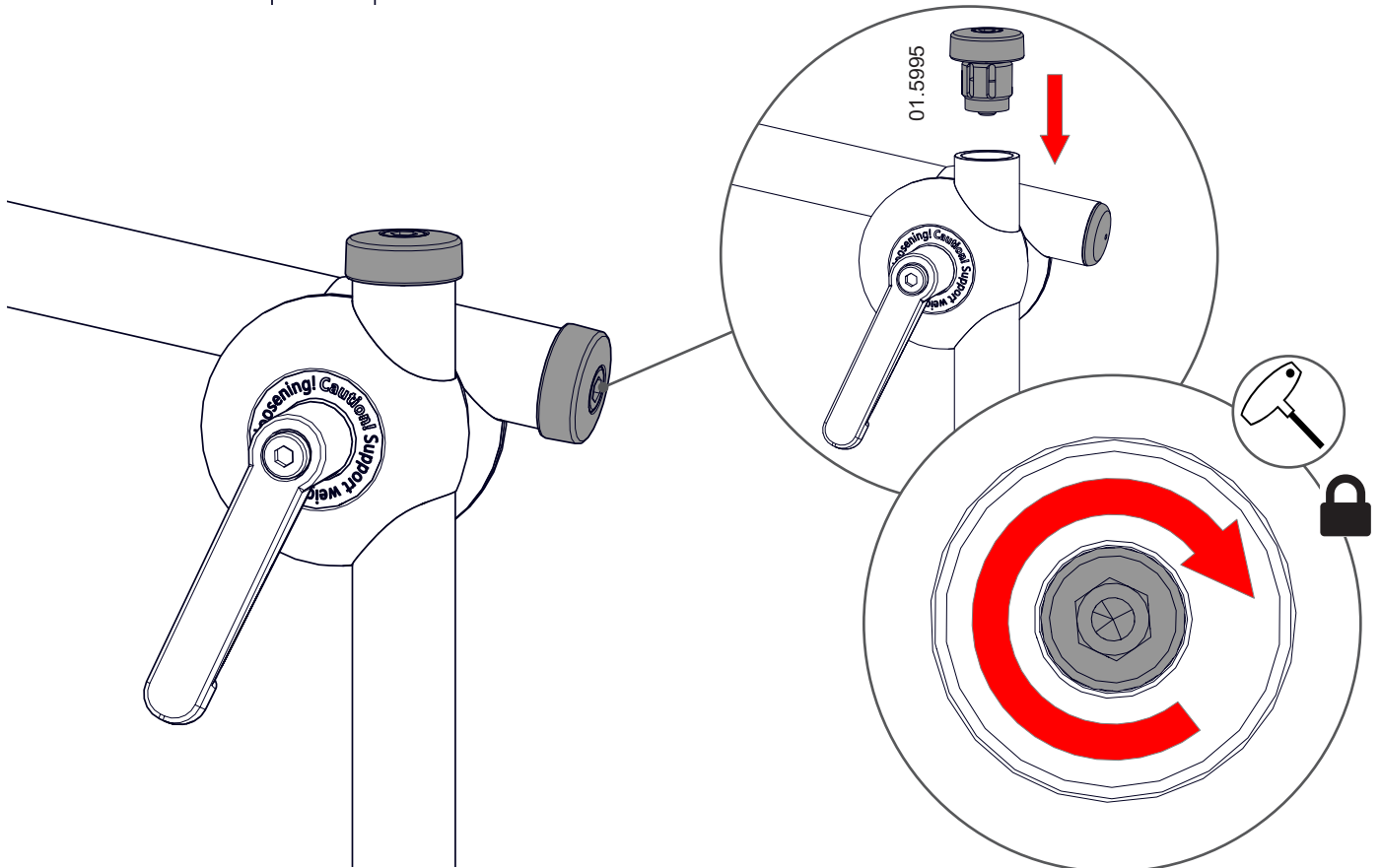
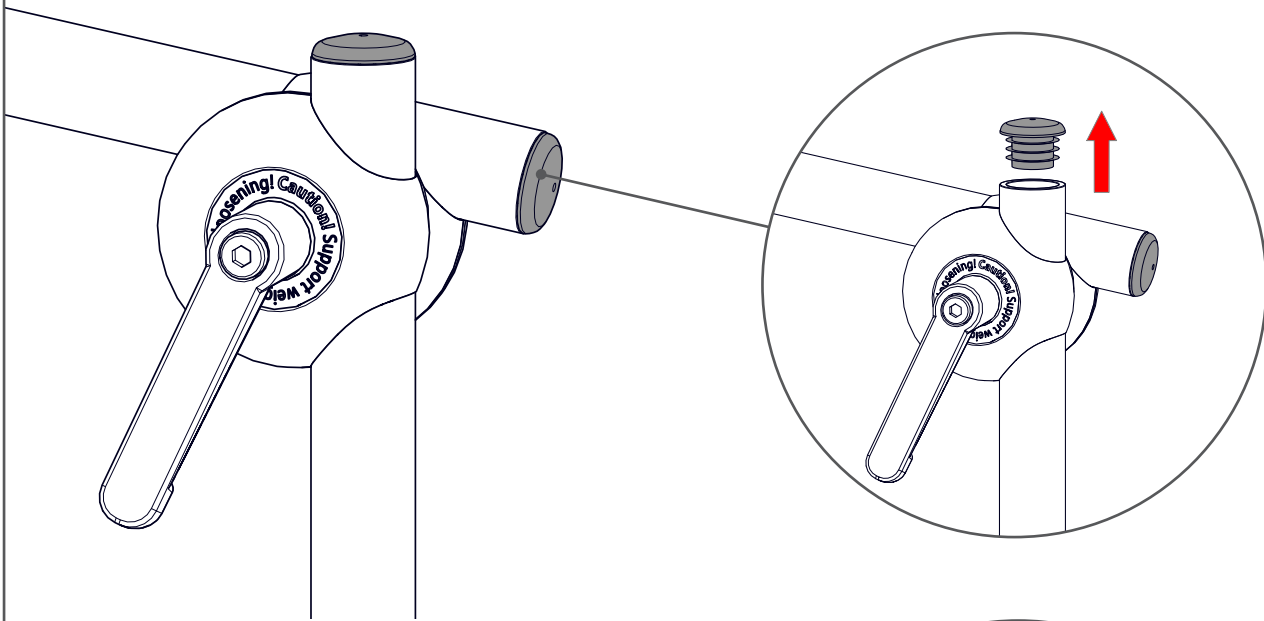
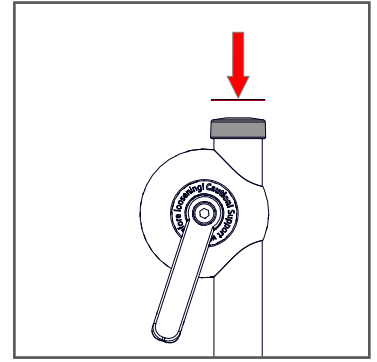
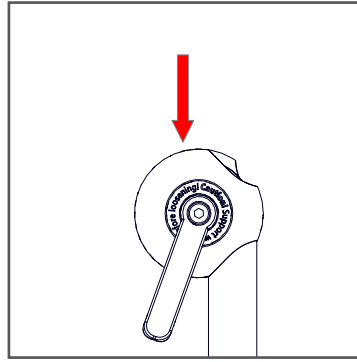
7

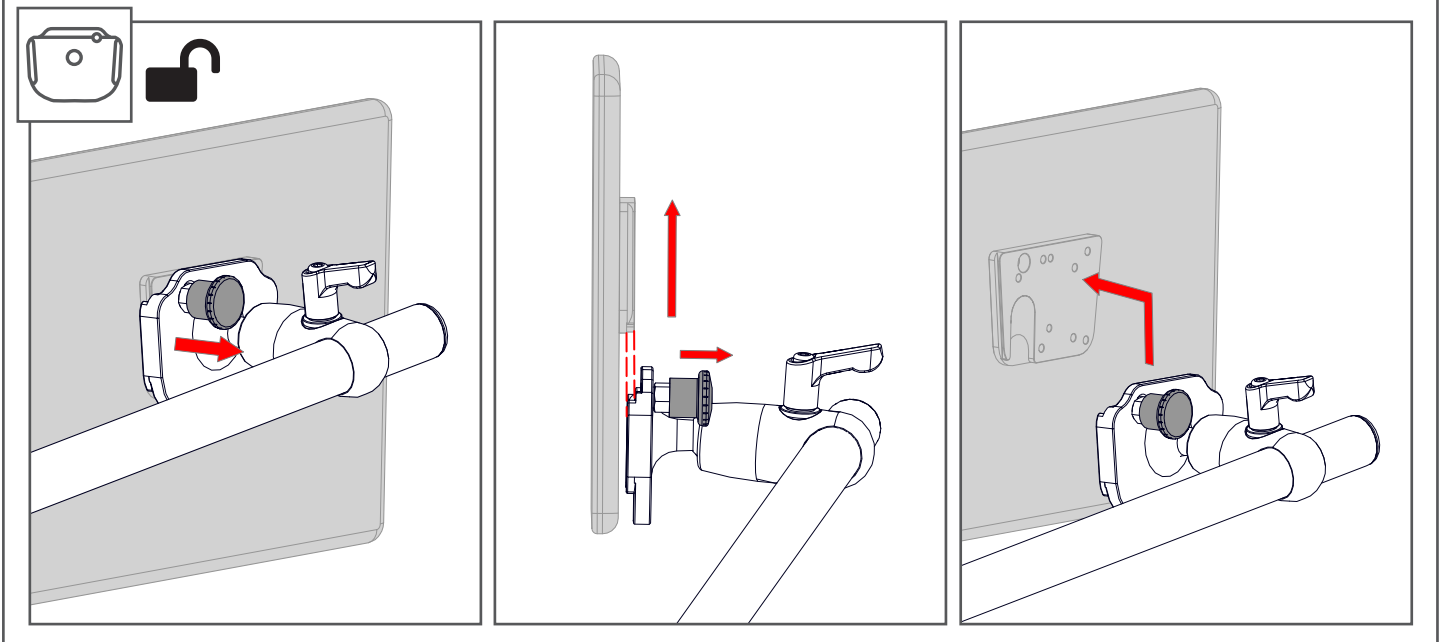
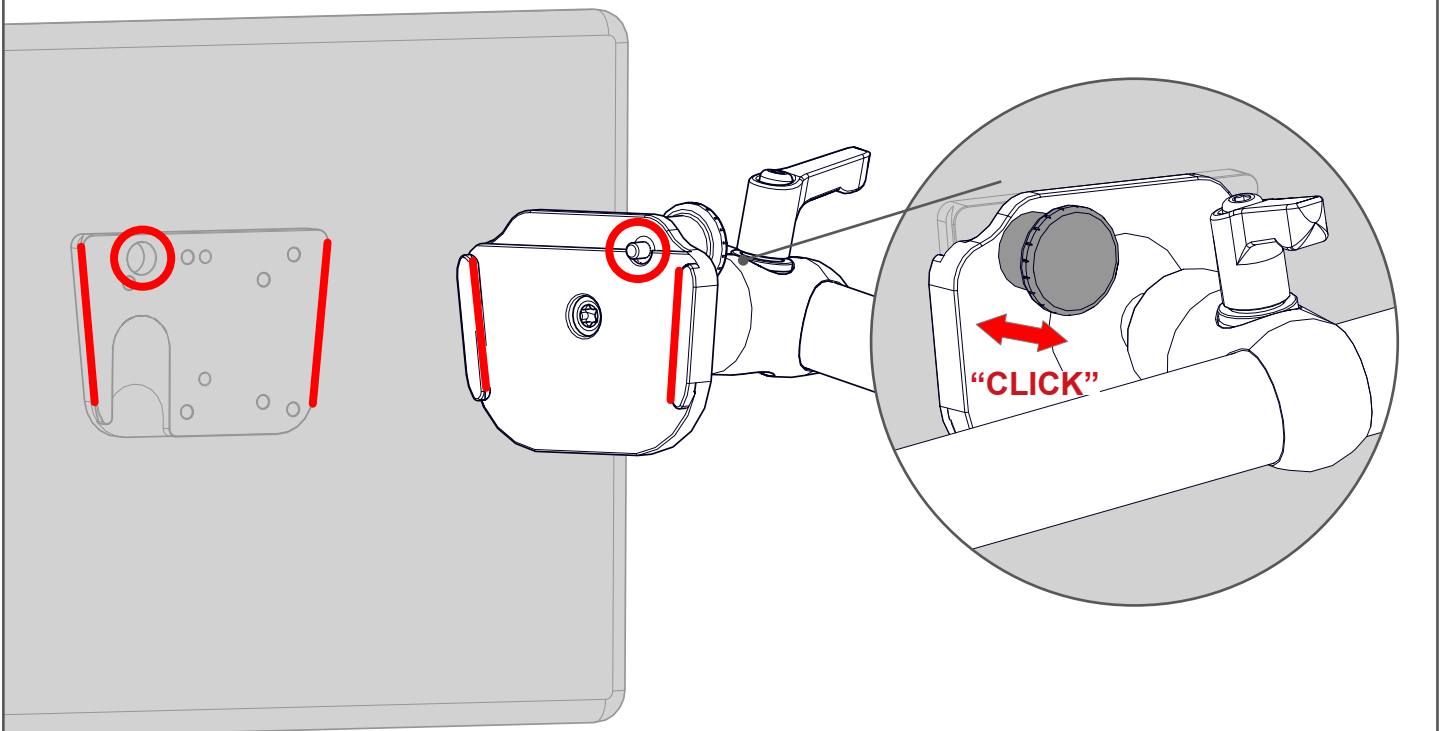
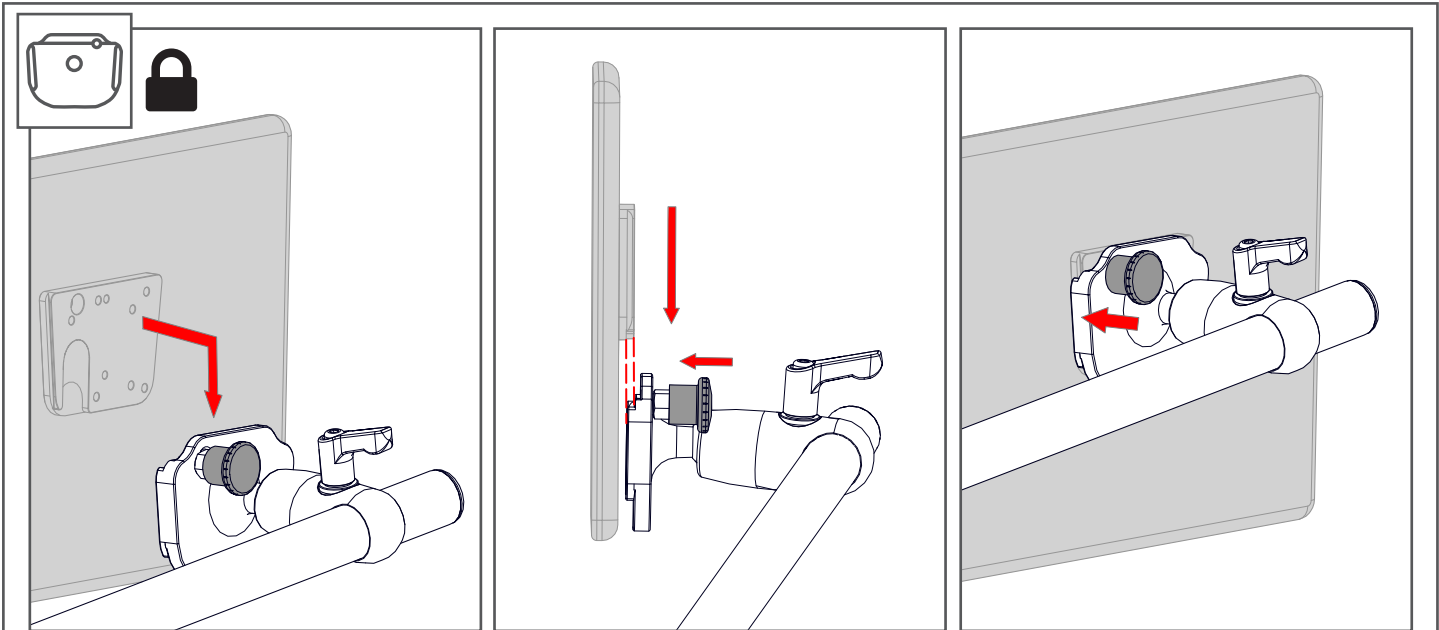


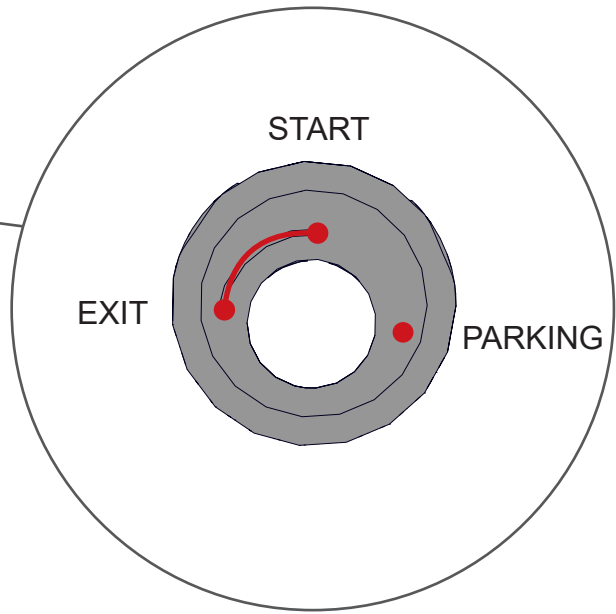
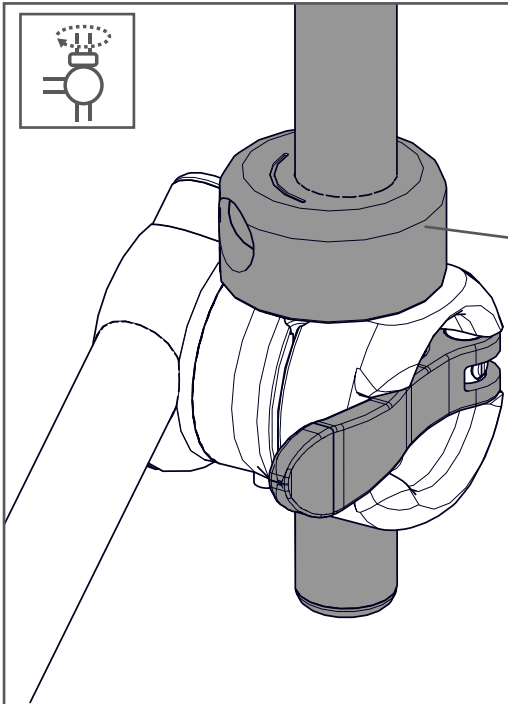
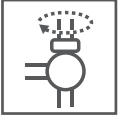






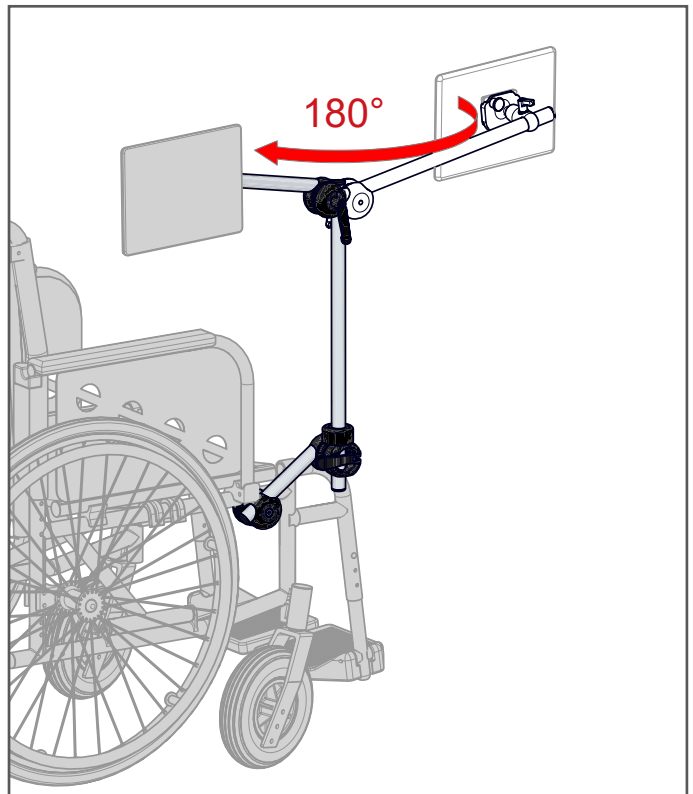
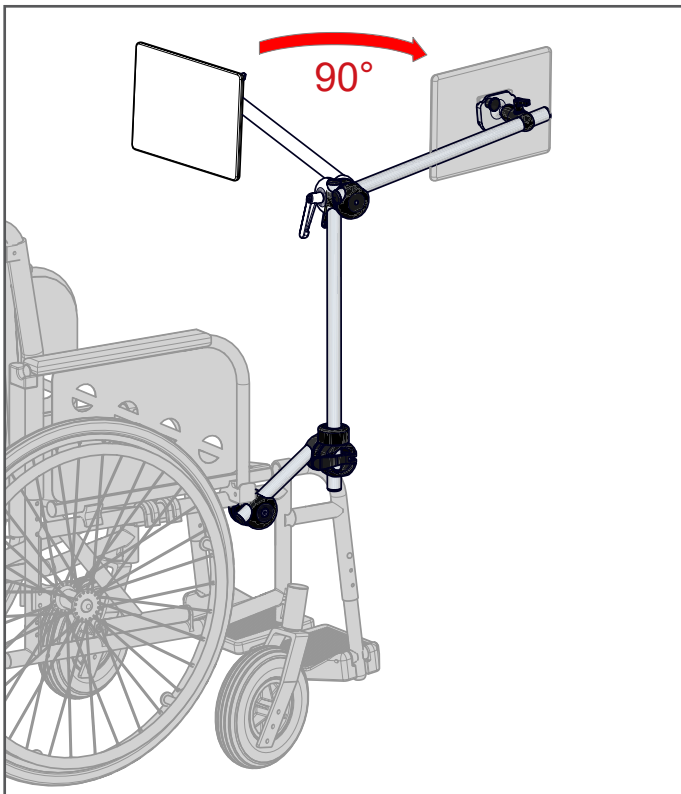
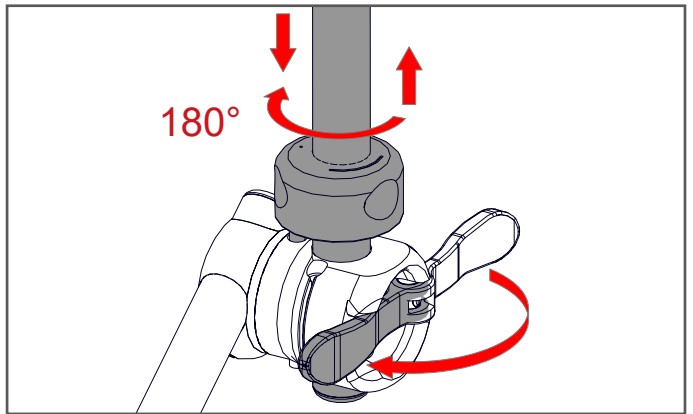
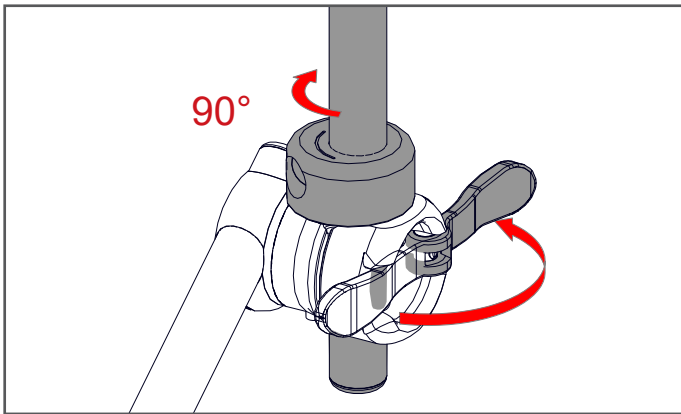


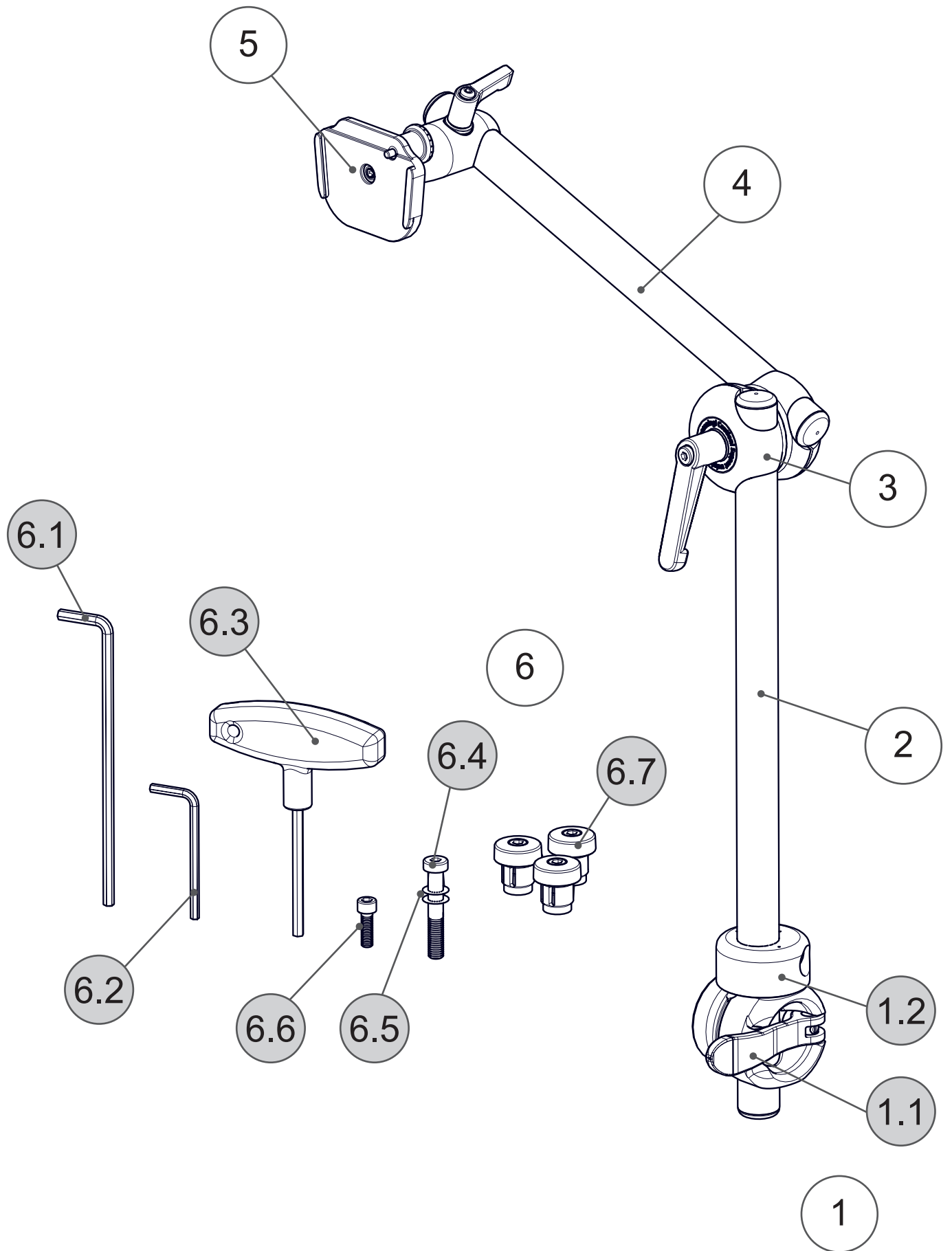




START → EXIT

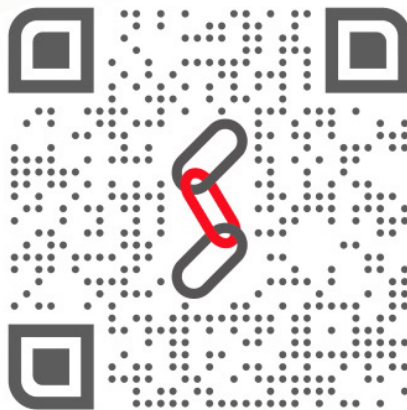
EXIT → PARKING





Pos.	No.	Bezeichnung	Description
1	11.1223	M3D Schwenklager S Spezial + Rast	M3D Tube Socket Swivel-Joint-S + Index
1.1	11.1222	M3D Schwenklager-S Spezial	M3D Tube Socket Swivel-Joint-S
1.2	11.1251	M3D Rast-Slot	M3D Indexing-Slot
2	01.5020	Rohr Ø22x400	Tube Ø22x400
3	11.1350	M3D Uni QuickShift	M3D Uni QuickShift
4	01.5010	Rohr Ø22x300	Tube Ø22x300
5	16.1050	UGA-22 QuickShift	UDS-22 QuickShift
6	11.3211BS	Schraubensatz - M3D with UGA-QS	Set of bolts - M3D with UDS-QS
6.1	01.0008	Innensechskantschlüssel 5mm lang	Allen wrench 5mm long
6.2	01.0029	Innensechskantschlüssel 4mm	Allen wrench 4mm
6.3	01.0027	T-Griff	T-Handle
6.4	01.0850	Zylinderschraube M8x50	Cylinder head bolt M8x50
6.5	01.0310	Passscheibe	Adjusting washer
6.6	01.0620	Zylinderschraube M6x20	Cylinder head bolt M6x20
6.7	01.5995	Abrutschsicherung	Slip-out safeguard





Rehadapt Engineering  
GmbH & Co. KG

📄 Heinrich-Hertz-Str. 104  
34123 Kassel, Germany

☎ Tel.: +49 561 220 717 0  
📠 Fax: +49 561 220 717 99

✉ officeteam@rehadapt.com  
🌐 <https://rehadapt.com>



Rehadapt  
North America

📄 40 Oser Ave  
Hauppauge, NY 11788, USA

☎ Tel.: 1 (888) 635-6962  
📠 Fax: 1 (888) 635-6962

✉ officeteam.na@rehadapt.com  
🌐 <https://rehadapt.com>