

Table Stand

• 12.1602

TS-XL

MOUNTING
MADE EASY



2023-07-14

00 5010-F



Sicherheitshinweise
Safety Instructions

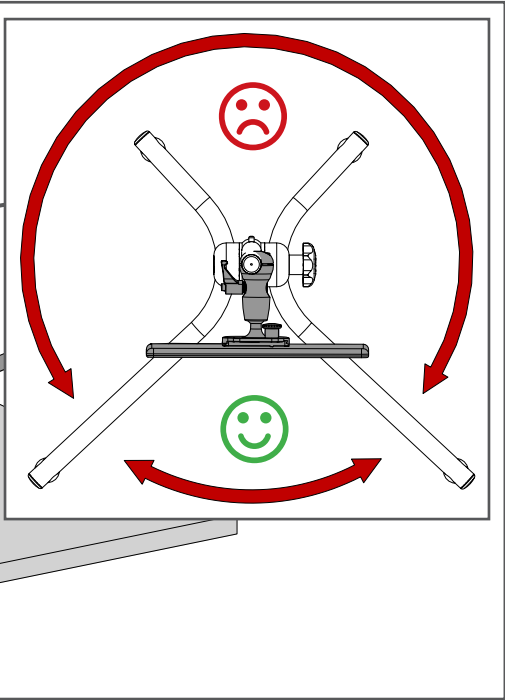
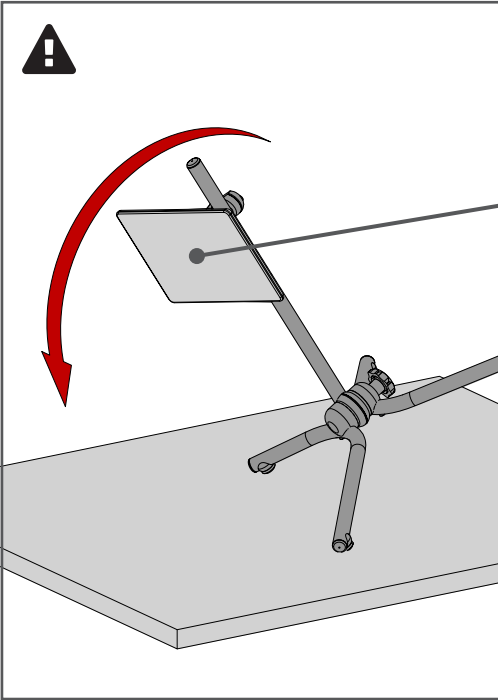
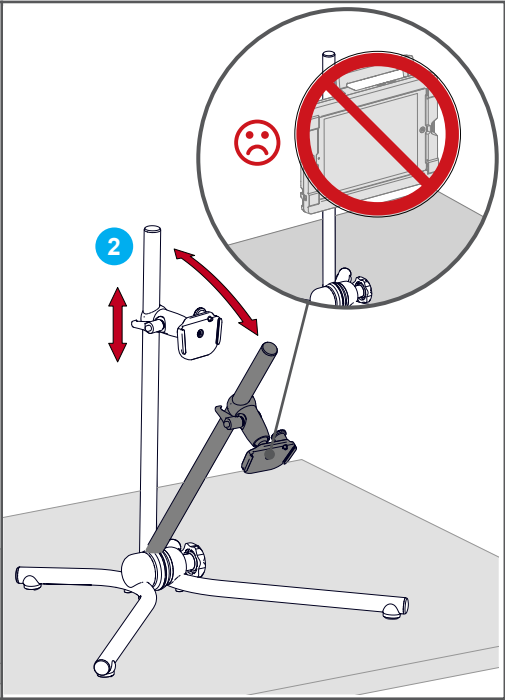
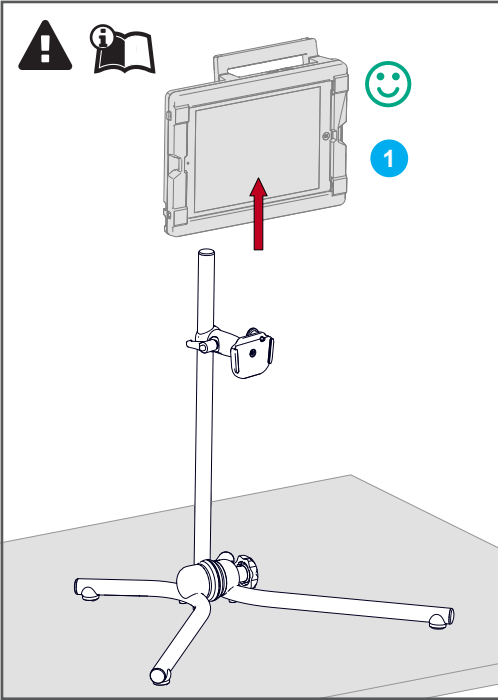


Montage
Assembly Instructions

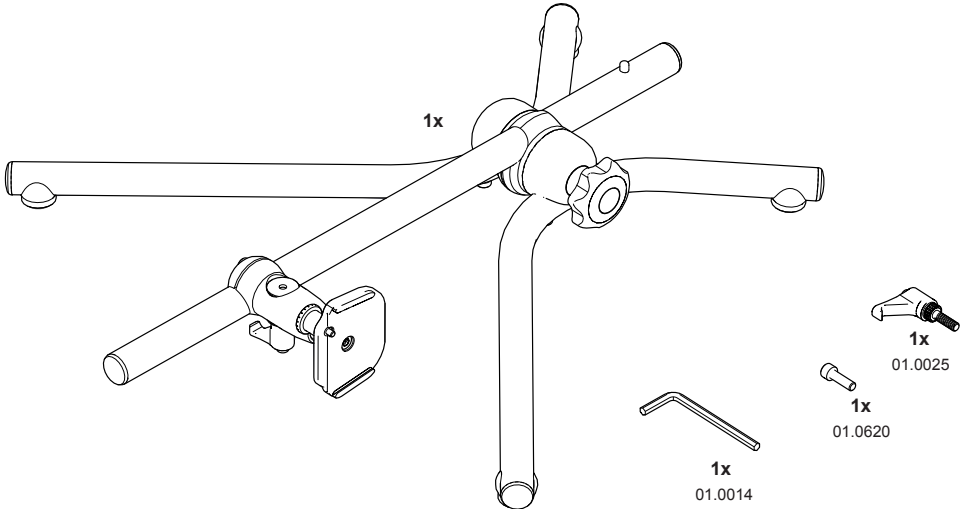
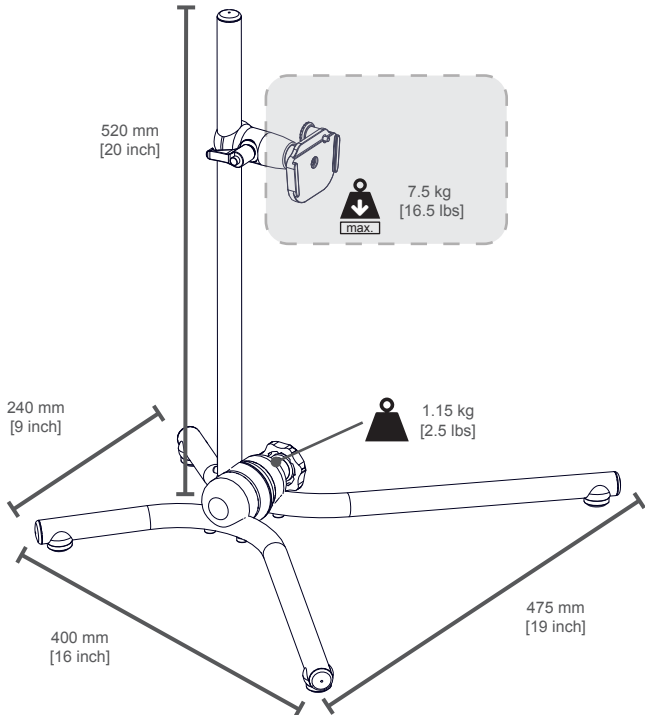


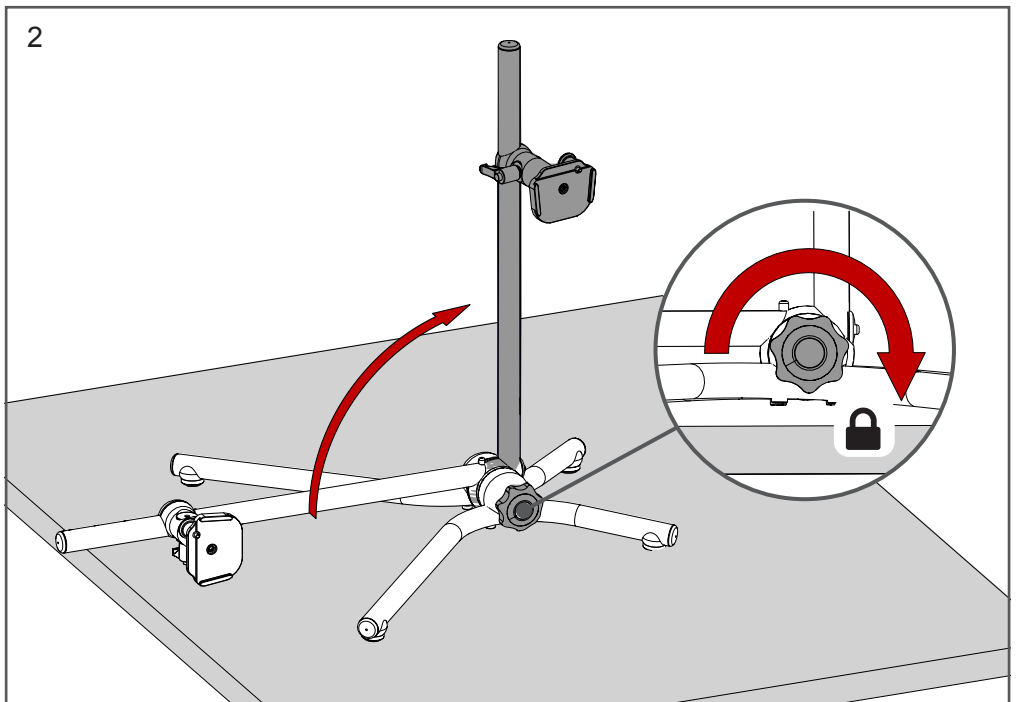
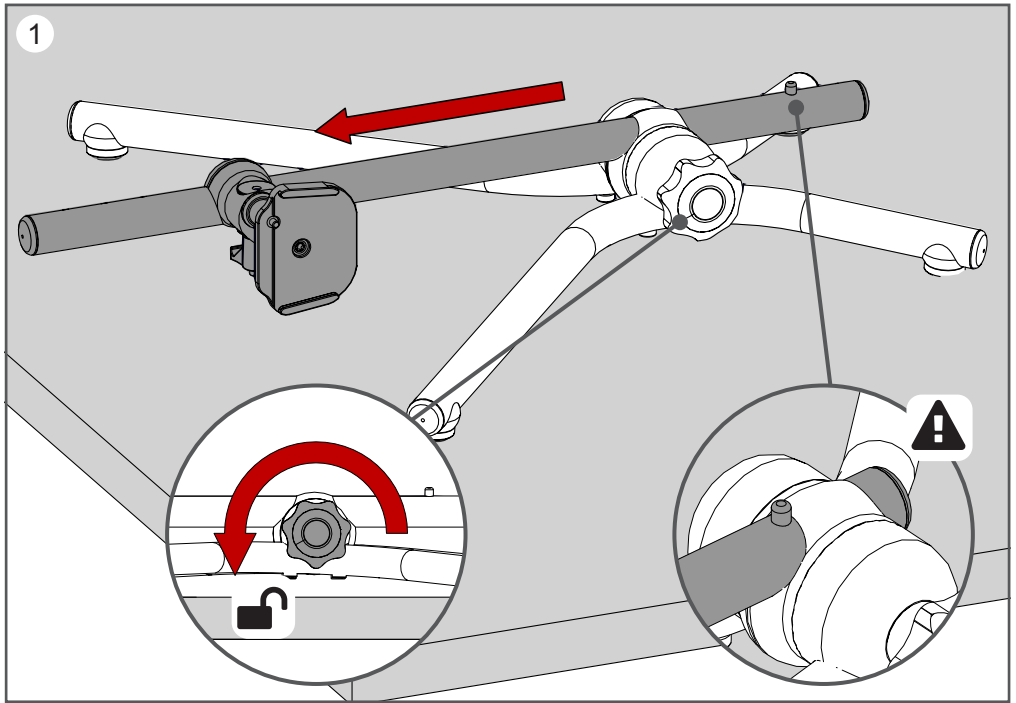
Handhabung
Handling

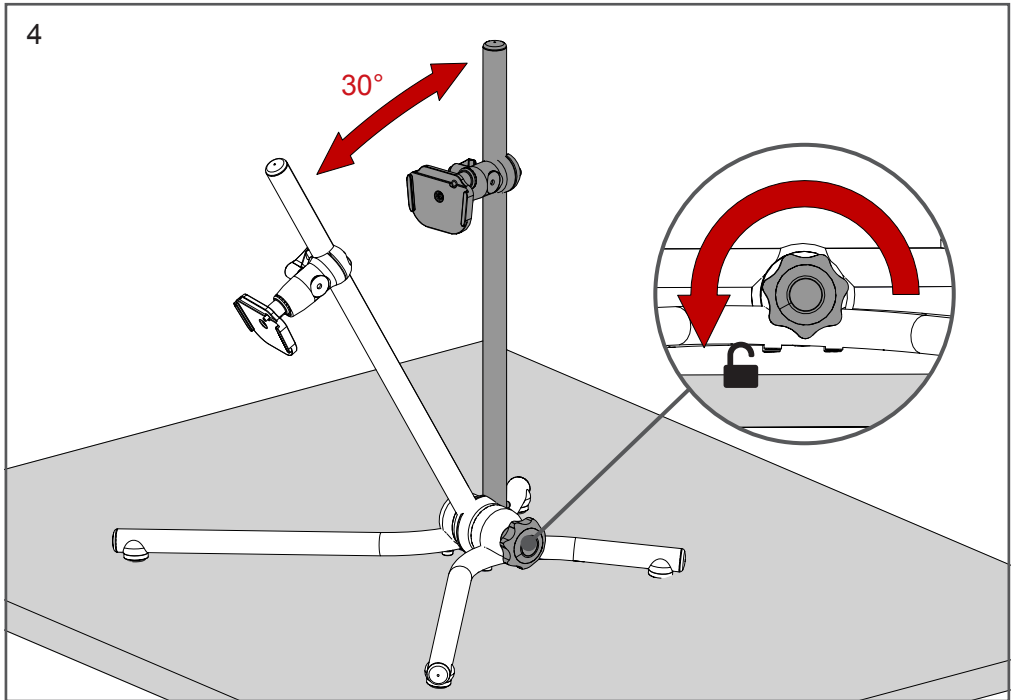
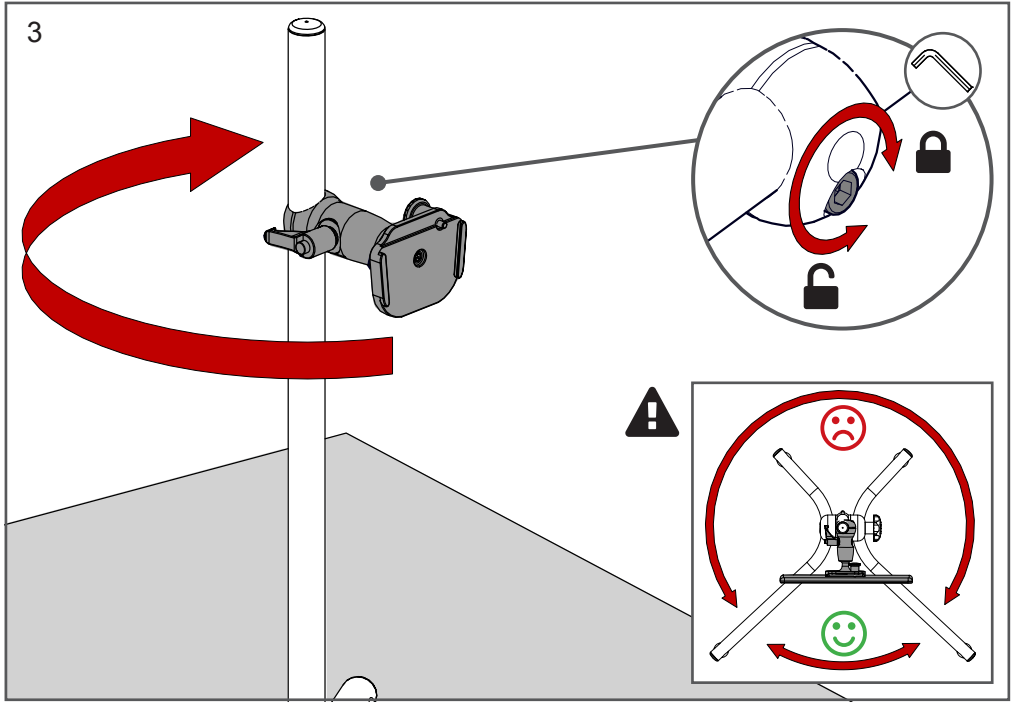


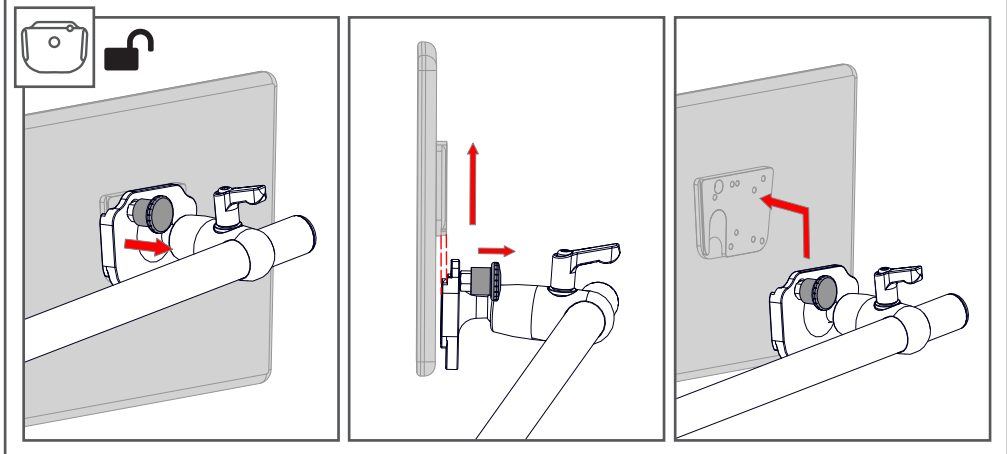
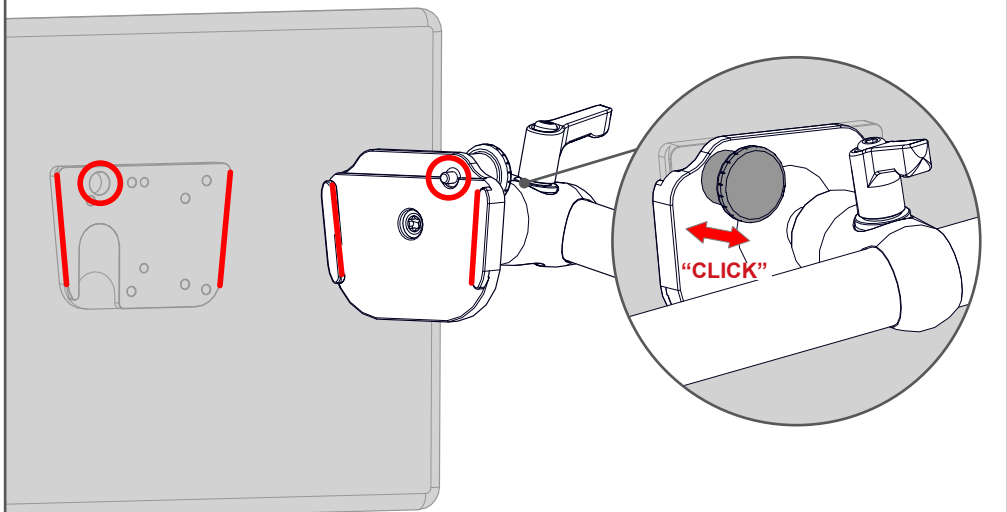
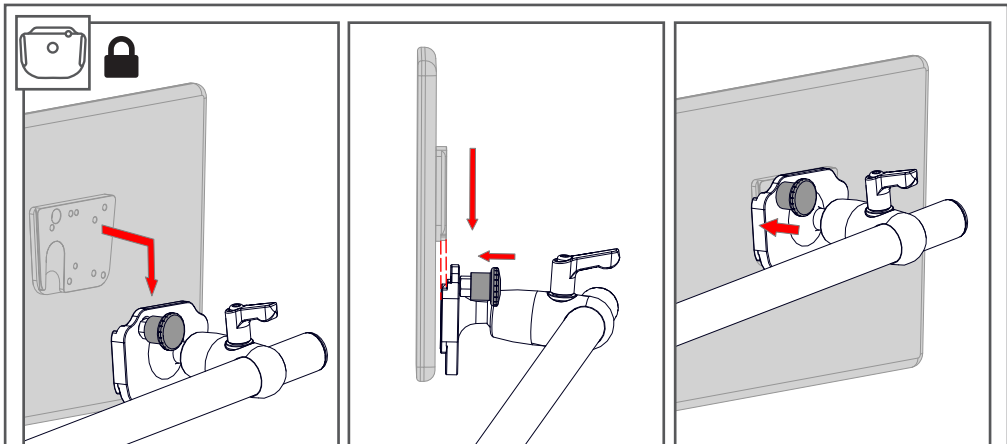


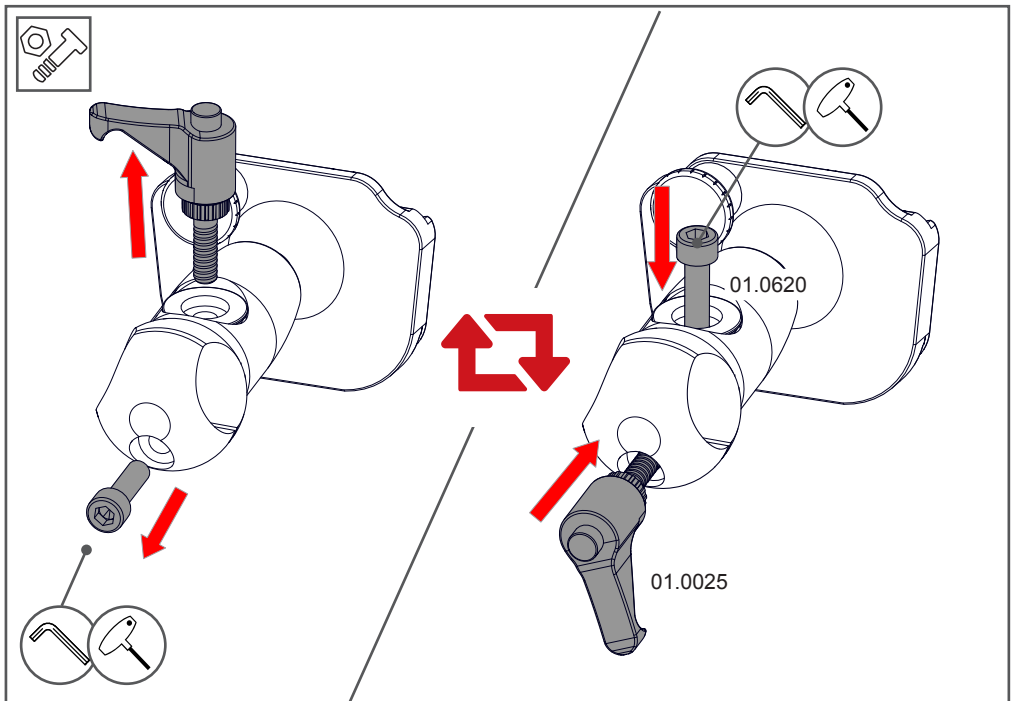
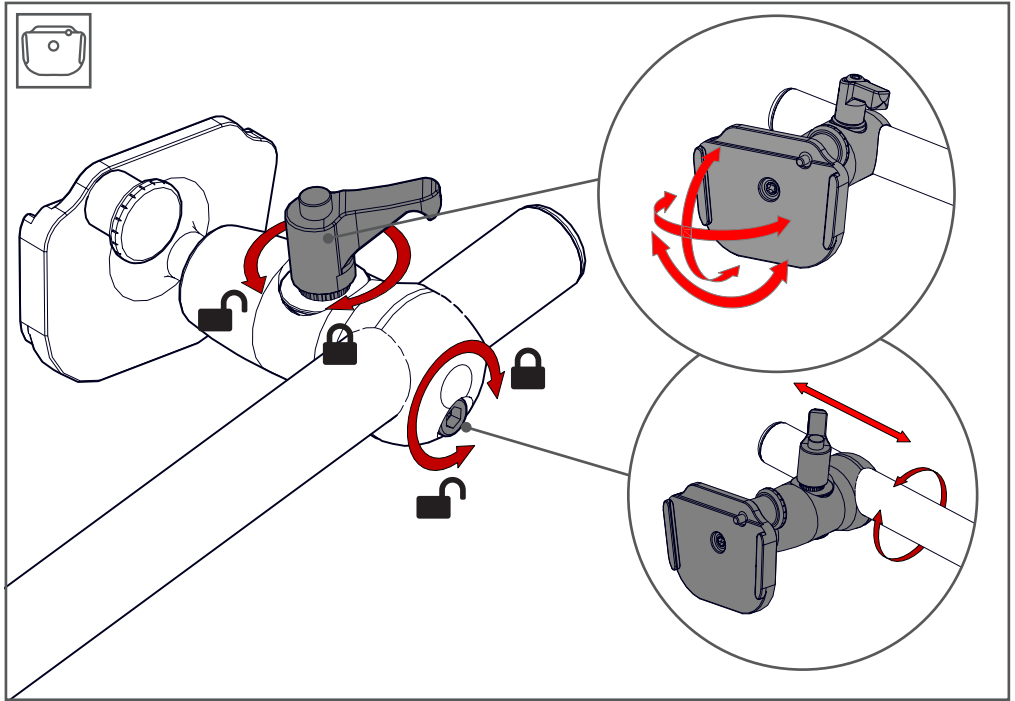




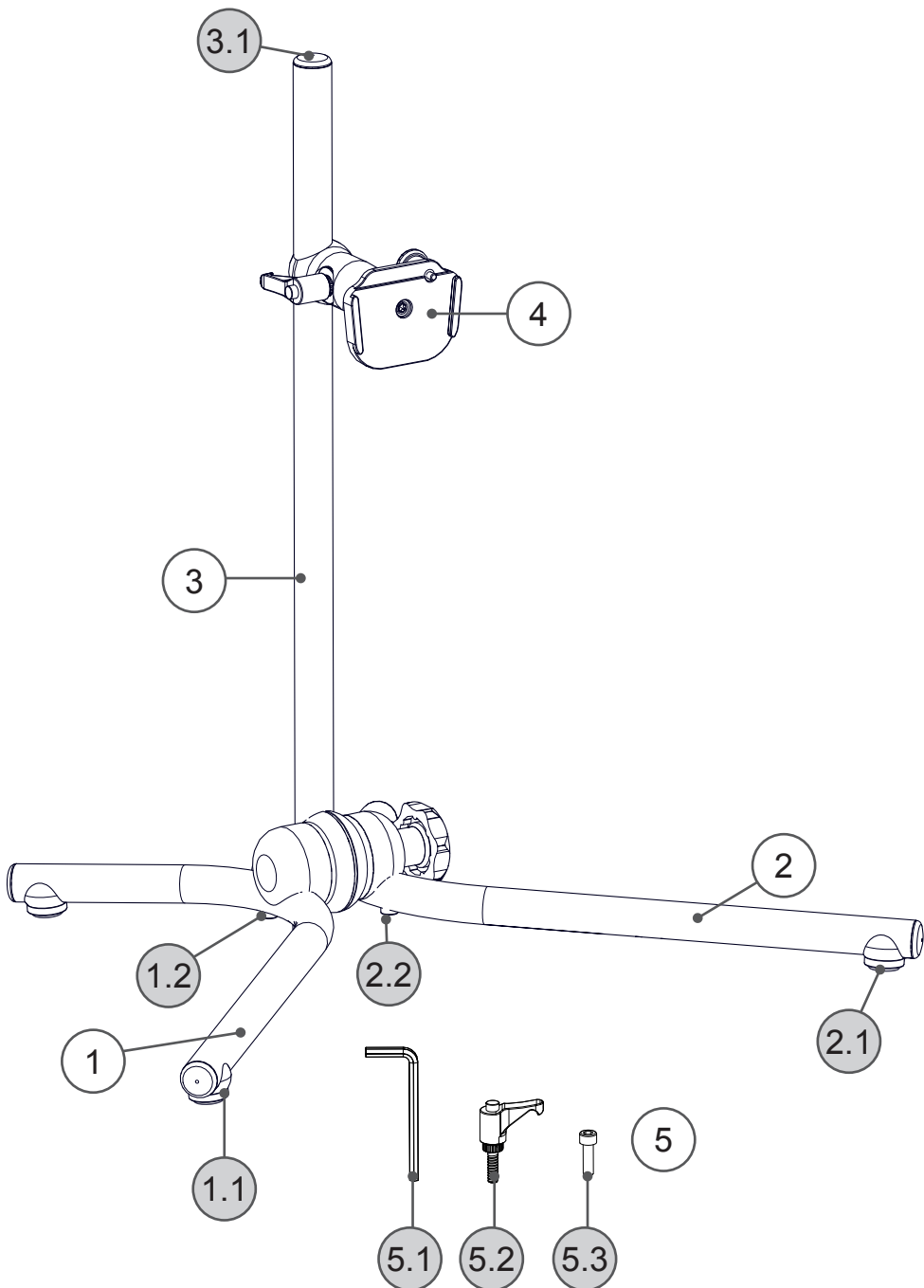






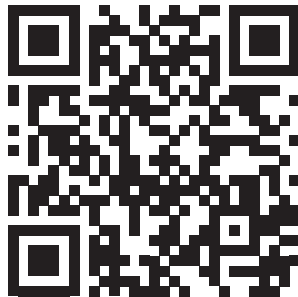









Pos.	No.	Bezeichnung	Description
1	12.5404	L-Rohr-Ø22x200x350-rechts	L-Tube Ø22x200x350 right
1.1	01.0106	Fuss für TS-XL	Foot for TS-XL
1.2	01.0634	Zylinderschraube M6x35	Cylinder head bolt M6x35
2	12.5405	L-Rohr-Ø22x200x350-links	L-Tube Ø22x200x350 left
2.1	01.0106	Fuss für TS-XL	Foot for TS-XL
2.2	01.0634	Zylinderschraube M6x35	Cylinder head bolt M6x35
3	12.5406	Rohr Ø22x500 B	Tube Ø22x500 B
3.1	01.5999	Rohrstopfen Ø22mm schwarz	Cap for Ø22mm tube black
4	16.1051	UGA 22-DC	UDS 22-DC
5		Montagekit	Mounting kit
5.1	01.0014	Innensechskantschlüssel 5mm	Allen wrench 5mm
5.2	01.0025	Klemmhebel M6x20	Clamping lever M6x20
5.3	01.0620	Zylinderschraube M6x20	Cylinder head bolt M6x20



We  your
feedback



Rehadapt Engineering
GmbH & Co. KG


 Heinrich-Hertz-Str. 104
34123 Kassel, Germany



 Tel.: +49 561 220 717 0
 Fax: +49 561 220 717 99



 officeteam@rehadapt.com
 <https://rehadapt.com>



Rehadapt
North America

 40 Oser Ave, Suite 40-01
Hauppauge, NY 11788

 Tel.: 1 (888) 635-6962
 Fax: 1 (888) 635-6962

 officeteam.na@rehadapt.com
 <https://rehadapt.com>