

Table Stand

• 12.1652 TS-GO

MADE MOUNTING
EASY



Scan me

2022-11-25

00.5105~B

Sicherheitshinweise
Safety Instructions



Montage
Assembly Instructions

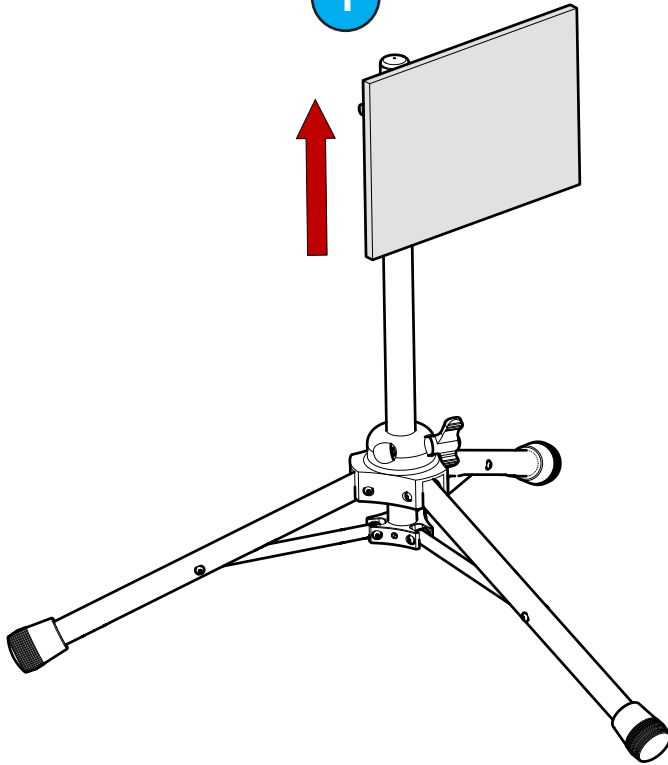


Handhabung
Handling

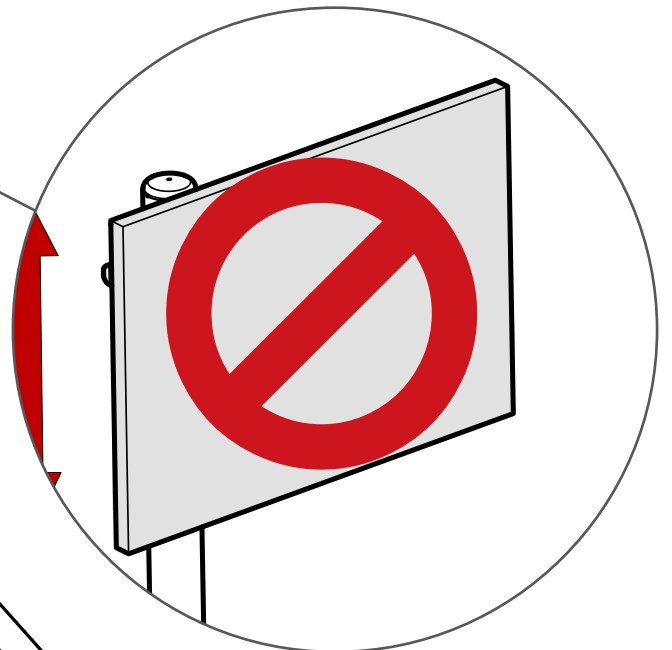
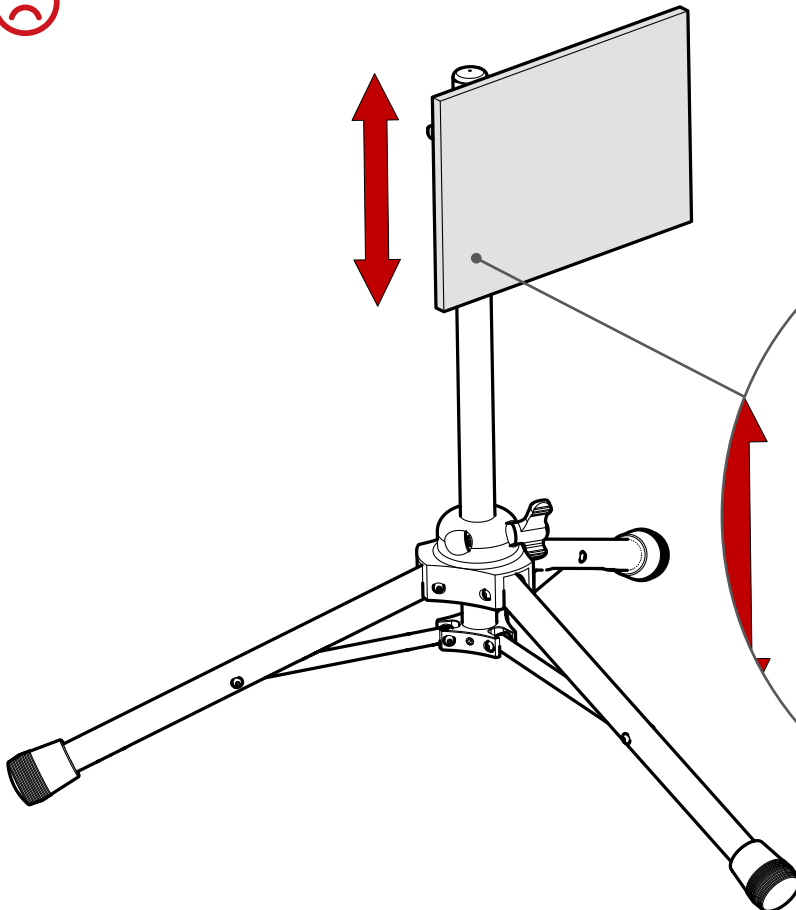
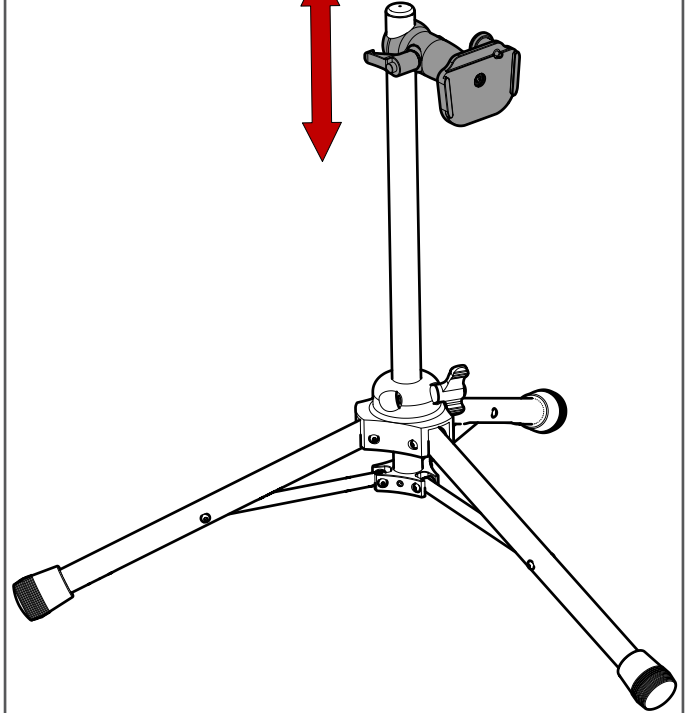


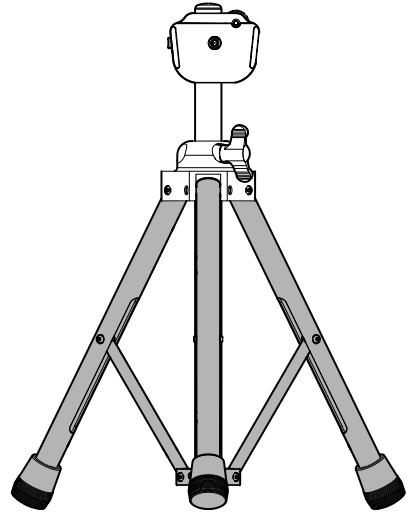
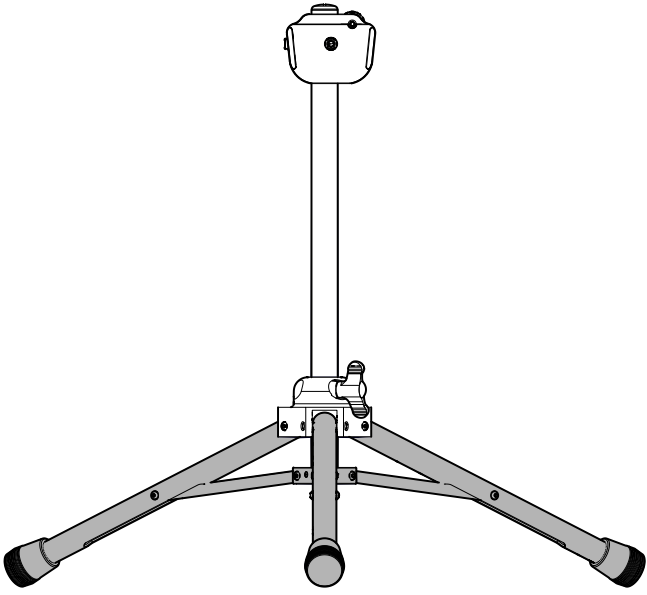


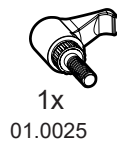
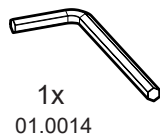
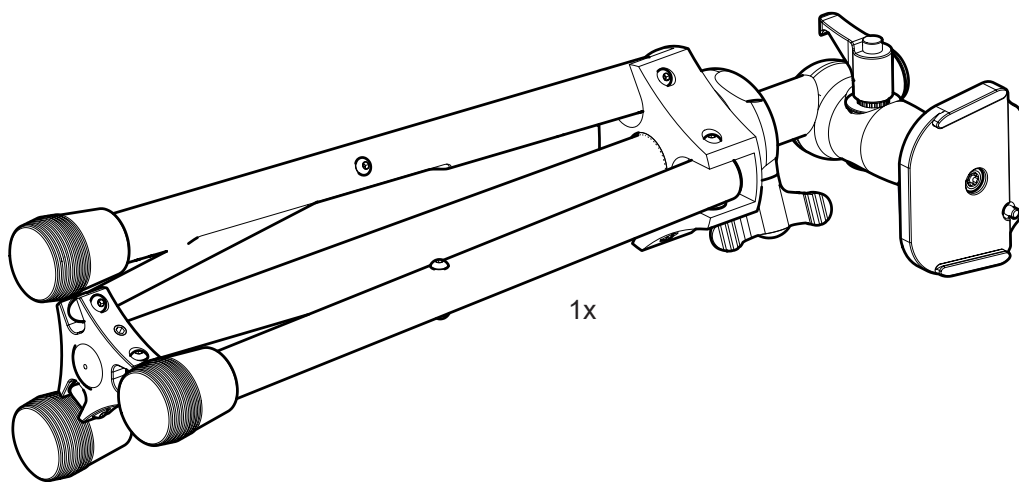
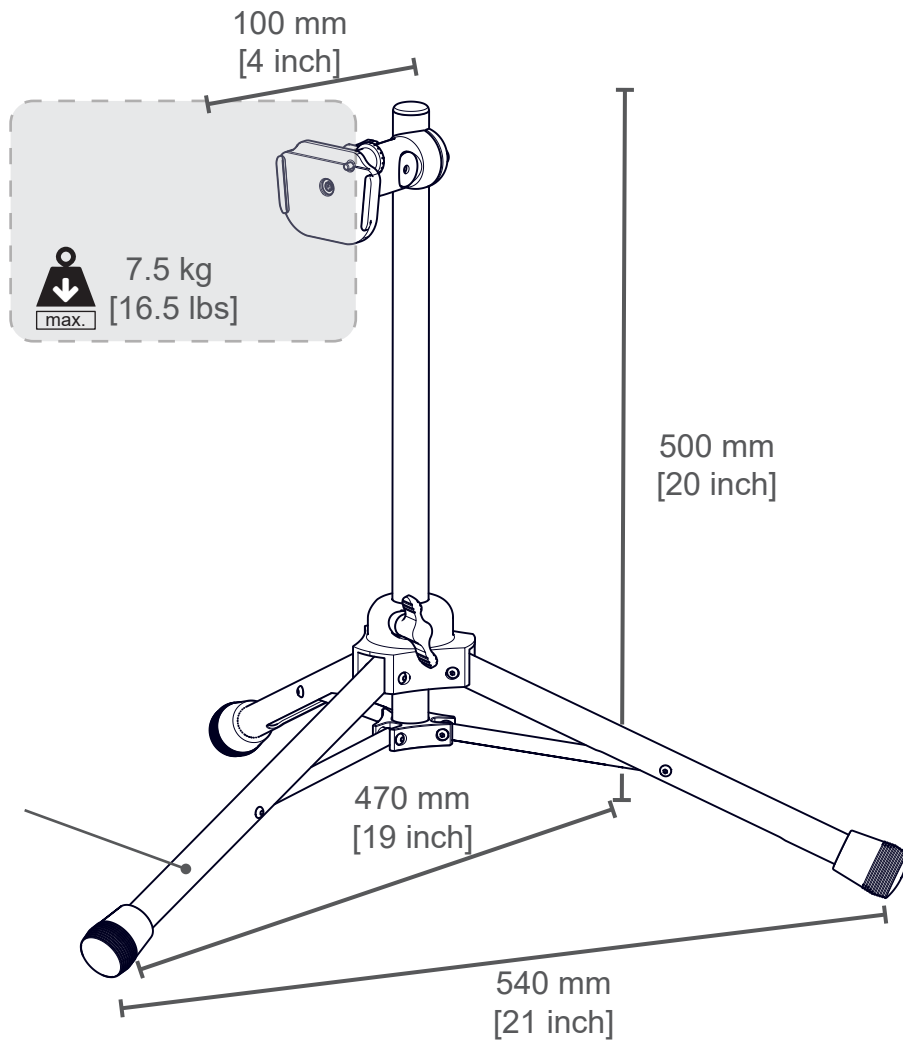
1



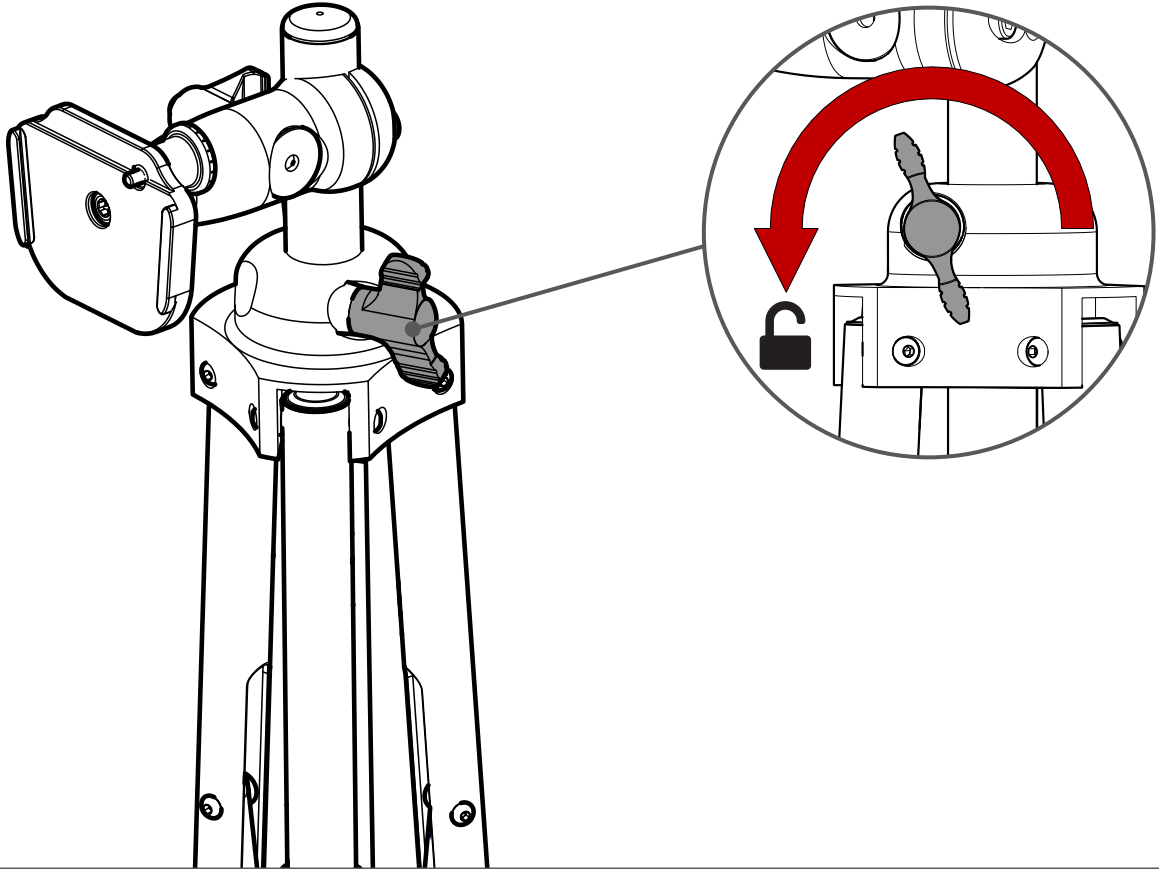
2



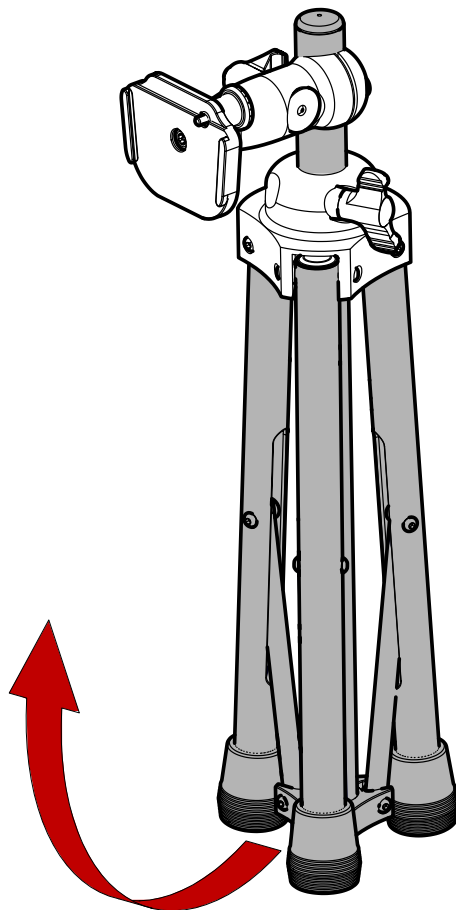




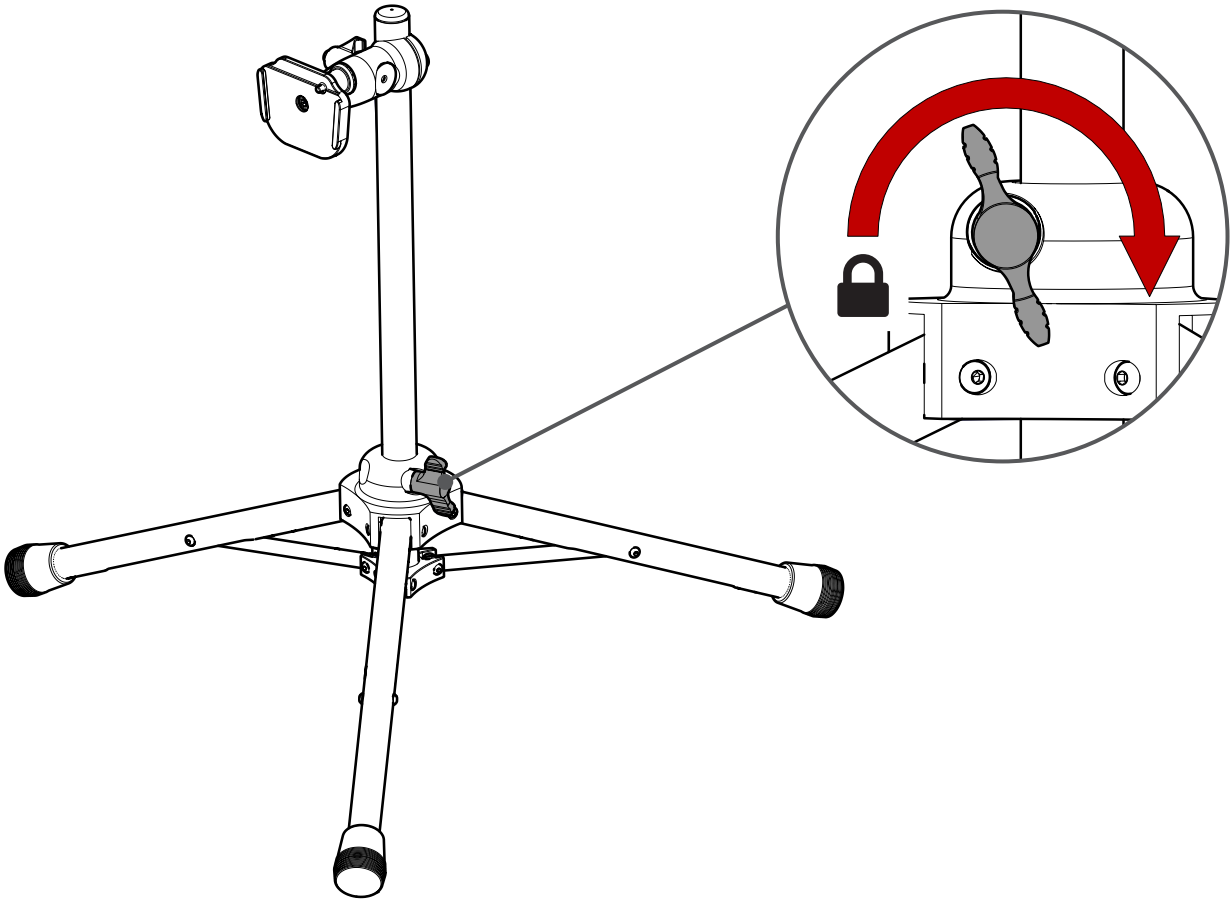
1



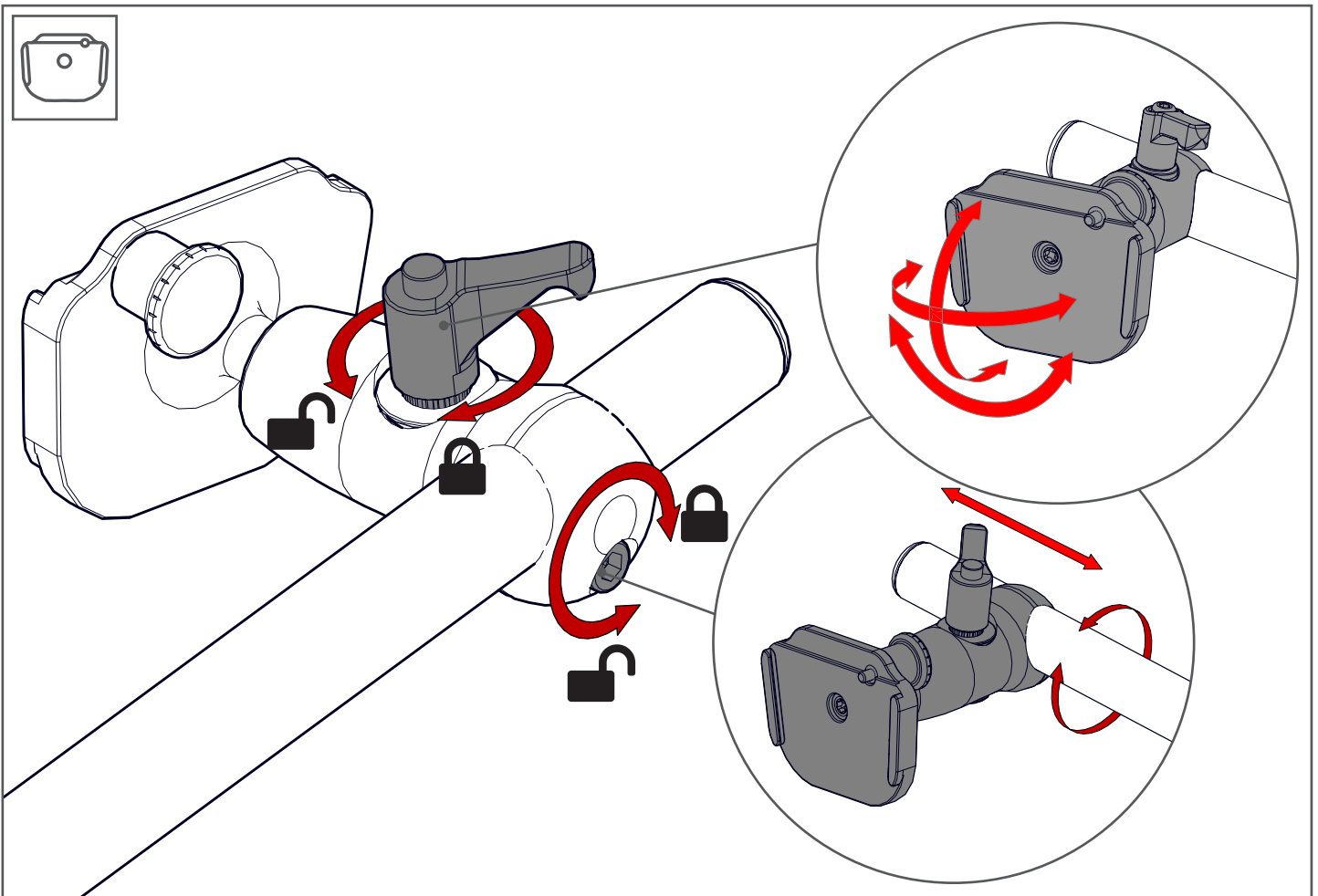
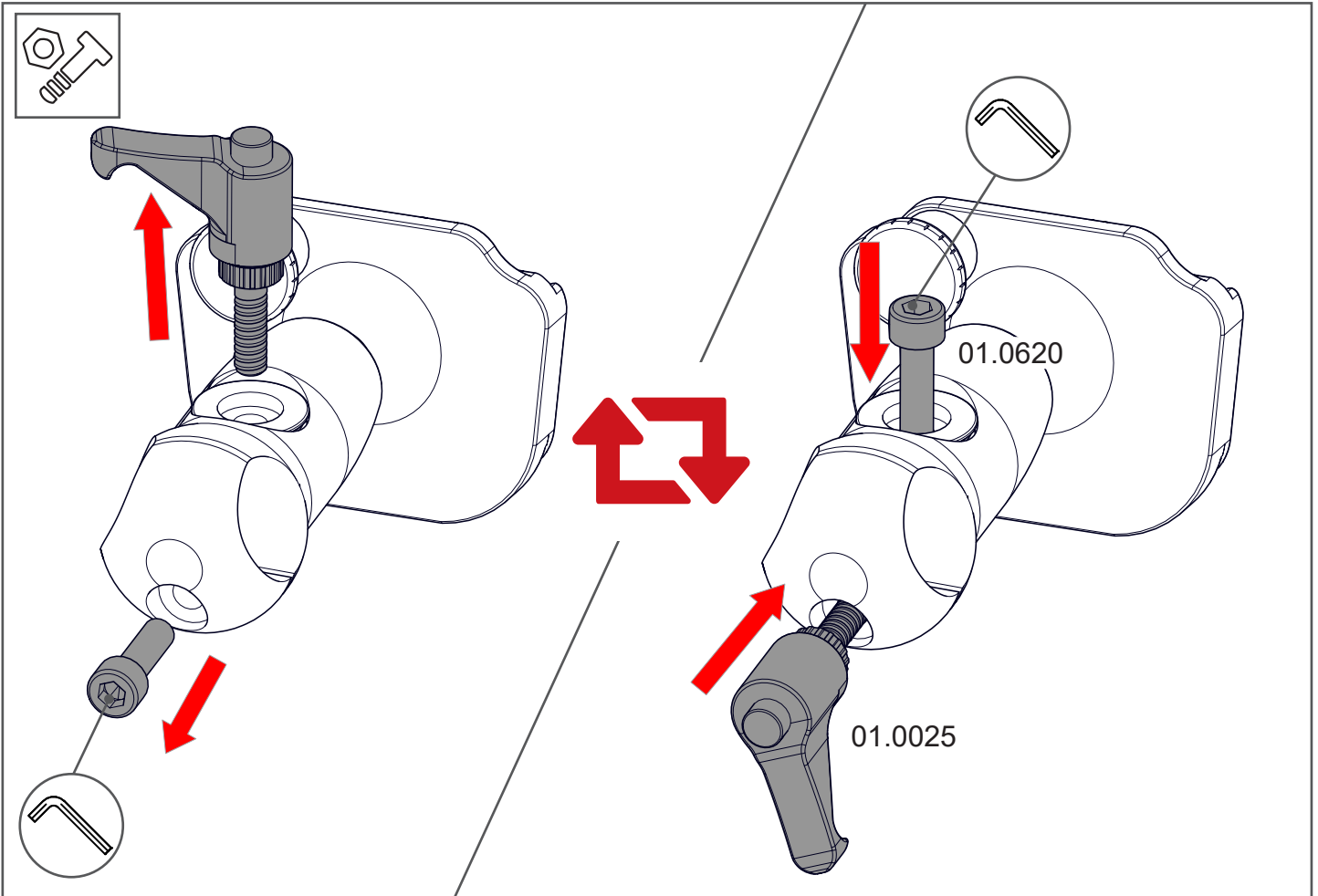
2

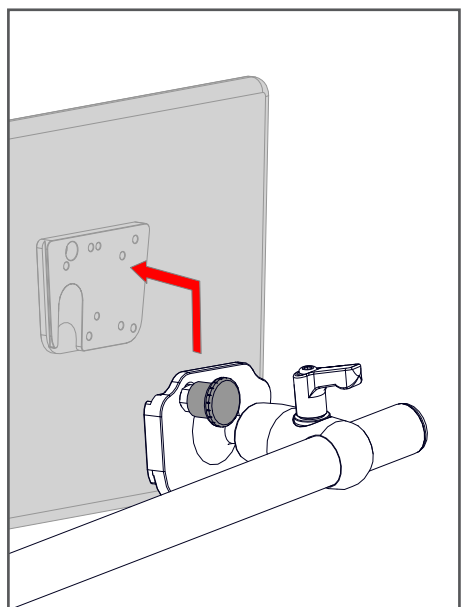
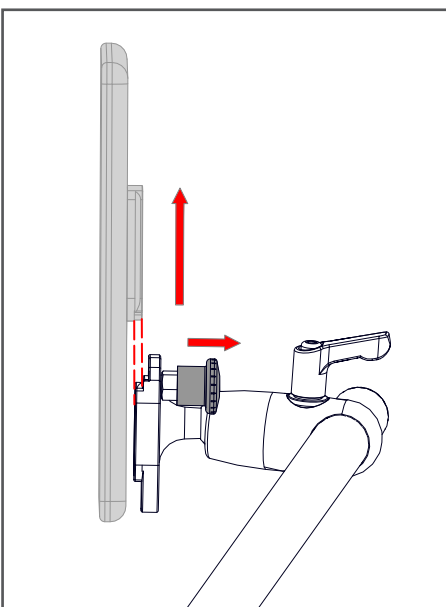
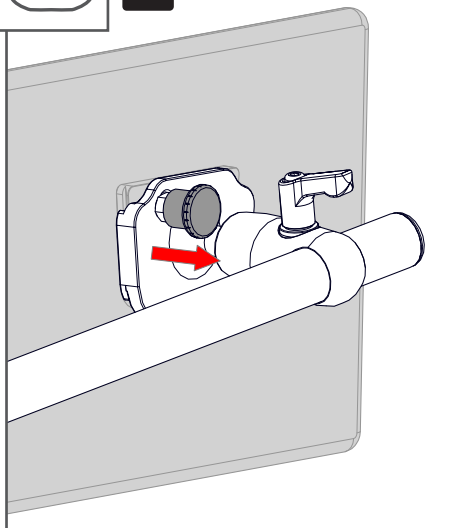
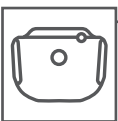
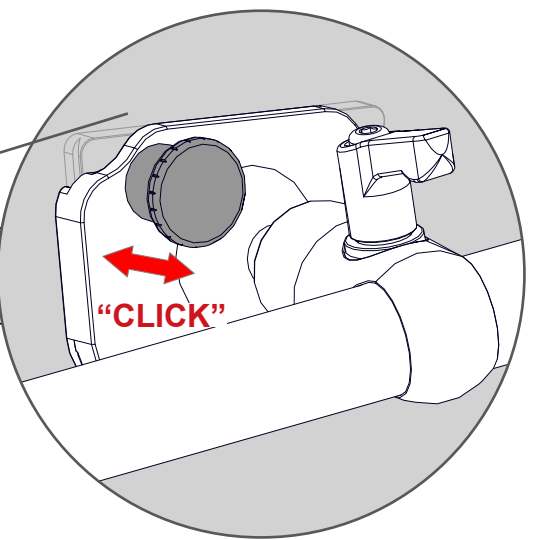
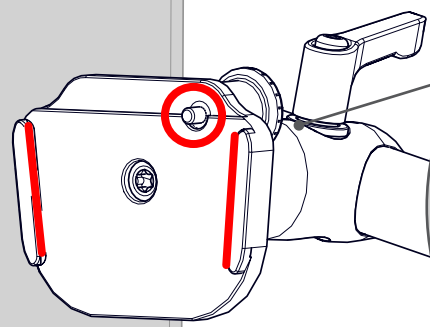
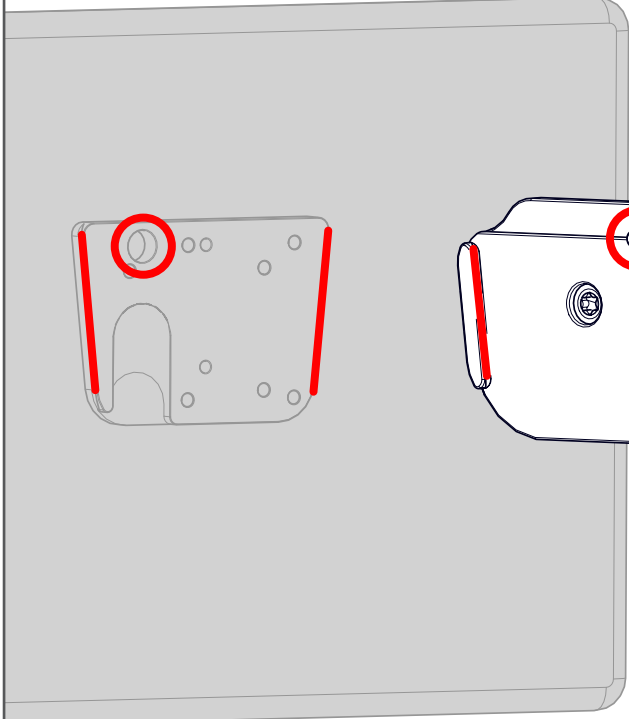
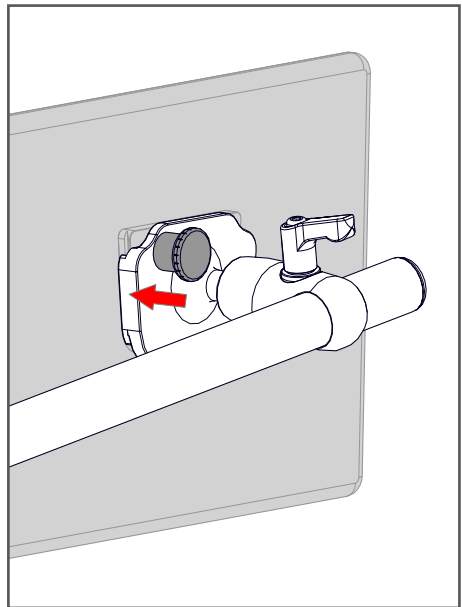
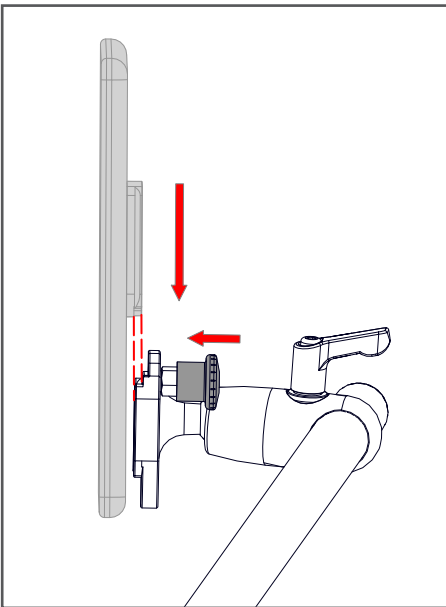
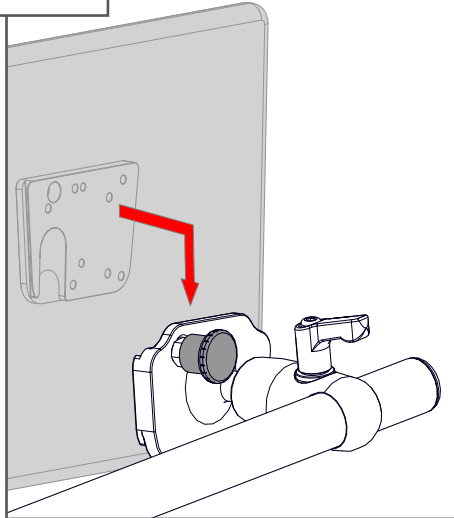


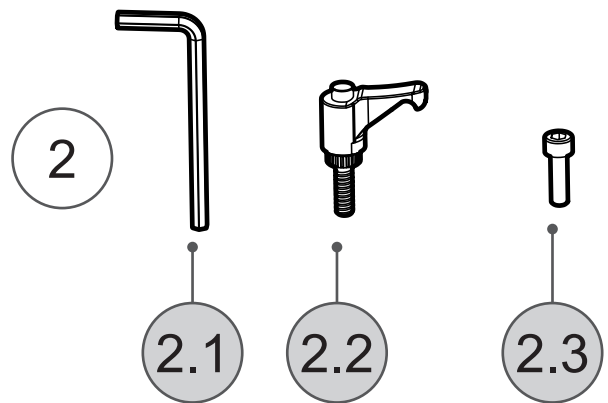
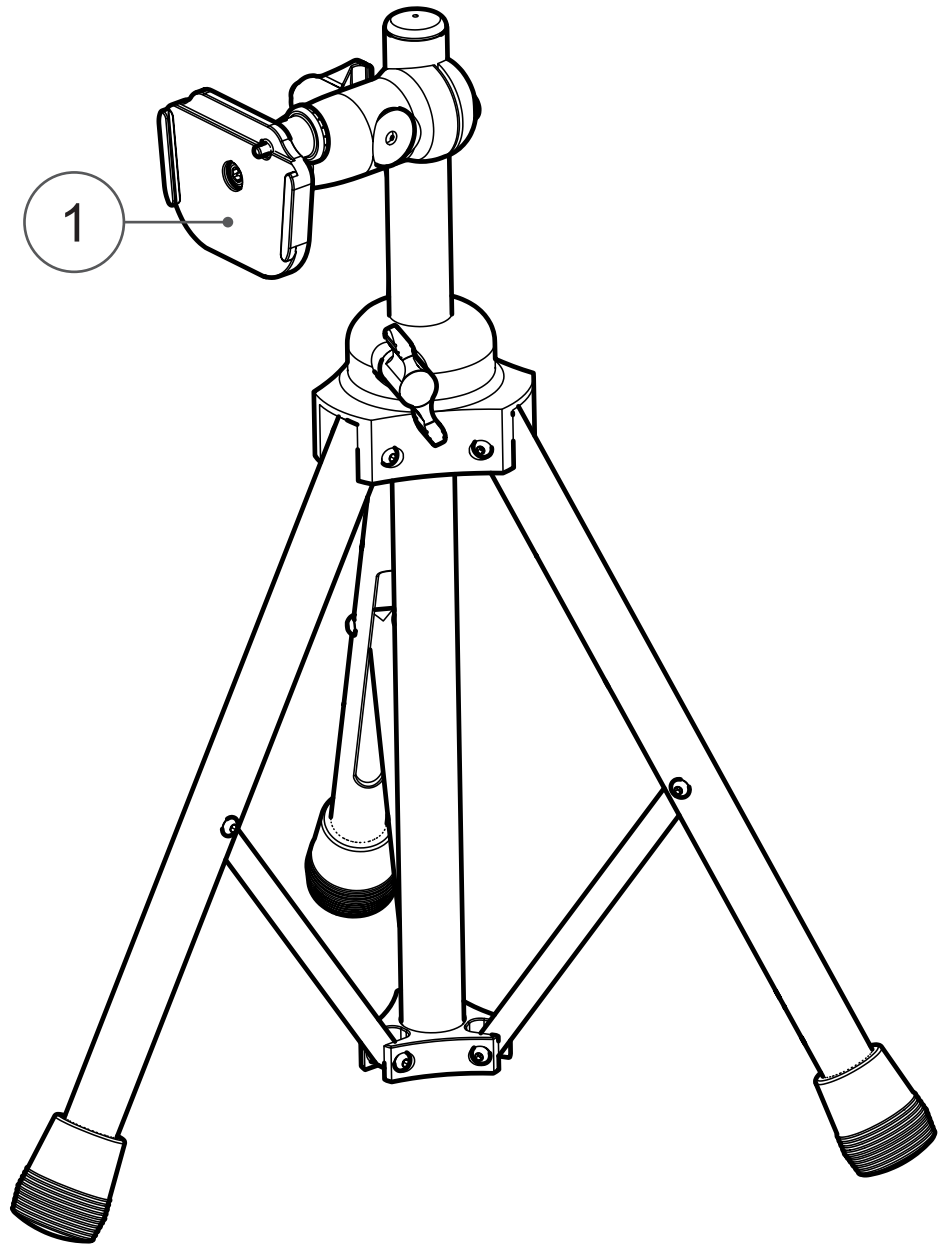
3











Pos.	No.	Bezeichnung	Description
1	16.1051	UGA 22-DC	UDS 22-DC
2		Montage Kit	Mounting kit
2.1	01.0014	Innensechskantschlüssel 5mm	Allen wrench 5mm
2.2	01.0025	Klemmhebel M6x20	Clamping lever M6x20
2.3	01.0620	Zylinderschraube M6x20	Cylinder head bolt M6x20
3	02.0007	Transporttasche TS-GO	Transport bag for TS-GO

We  your
feedback



Rehadapt Engineering
GmbH & Co. KG

📖 Heinrich-Hertz-Str. 104
34123 Kassel, Germany

☎ Tel.: +49 561 220 717 0
📠 Fax: +49 561 220 717 99

✉ officeteam@rehadapt.com
🌐 <https://rehadapt.com>



Rehadapt
North America

📖 40 Oser Ave, Suite 40-01
Hauppauge, NY 11788

☎ Tel.: 1 (888) 635-6962
📠 Fax: 1 (888) 635-6962

✉ officeteam.na@rehadapt.com
🌐 <https://rehadapt.com>